

VAL MODULAR PARTITION SYSTEM

# VAL SOUNDPROOF SLIDING DOOR DOUBLE-LEAF

Double-leaf door with MDF profiles with glass opening, perimeter sealed in the top rail of the door leaf, there are stops for fixing the open and closed positions



WIDTH (W)\*

M7 (700 mm) - M13 (1300 mm)  
+ M7 (700 mm) - M13 (1300 mm)

HEIGHT (H)\*

M15 (1500 mm) – M25 (2500 mm)

PROFILE CROSS-SECTION

92 x 30 mm

CONDITIONS FOR INSTALLATION OPENING'S MEASUREMENTS

Opening height (H) = product size +10mm  
Deviation tolerance = +5...-4

Opening Width (L) = product size +20mm  
Deviation tolerance = +10...-8

NB! The largest allowed deviation of the upper horizontal and vertical surfaces +/-3mm per 2000mm

The largest allowed deviation of the bottom horizontal surfaces +/-1mm per 2000mm

FINISH

Paint, veneer, varnish, stain

THRESHOLD

Aluminium shining 40 x 5 mm

SEALS

Black

RAIL SYSTEM

Top rail with a load capacity of 80 kg + 80 kg, with a floor guide

HANDLE

Pull handle

LOCK CASE

None, LC306, AGB 702

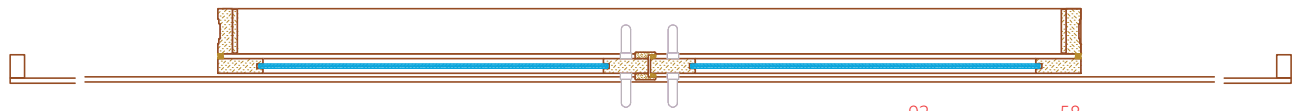
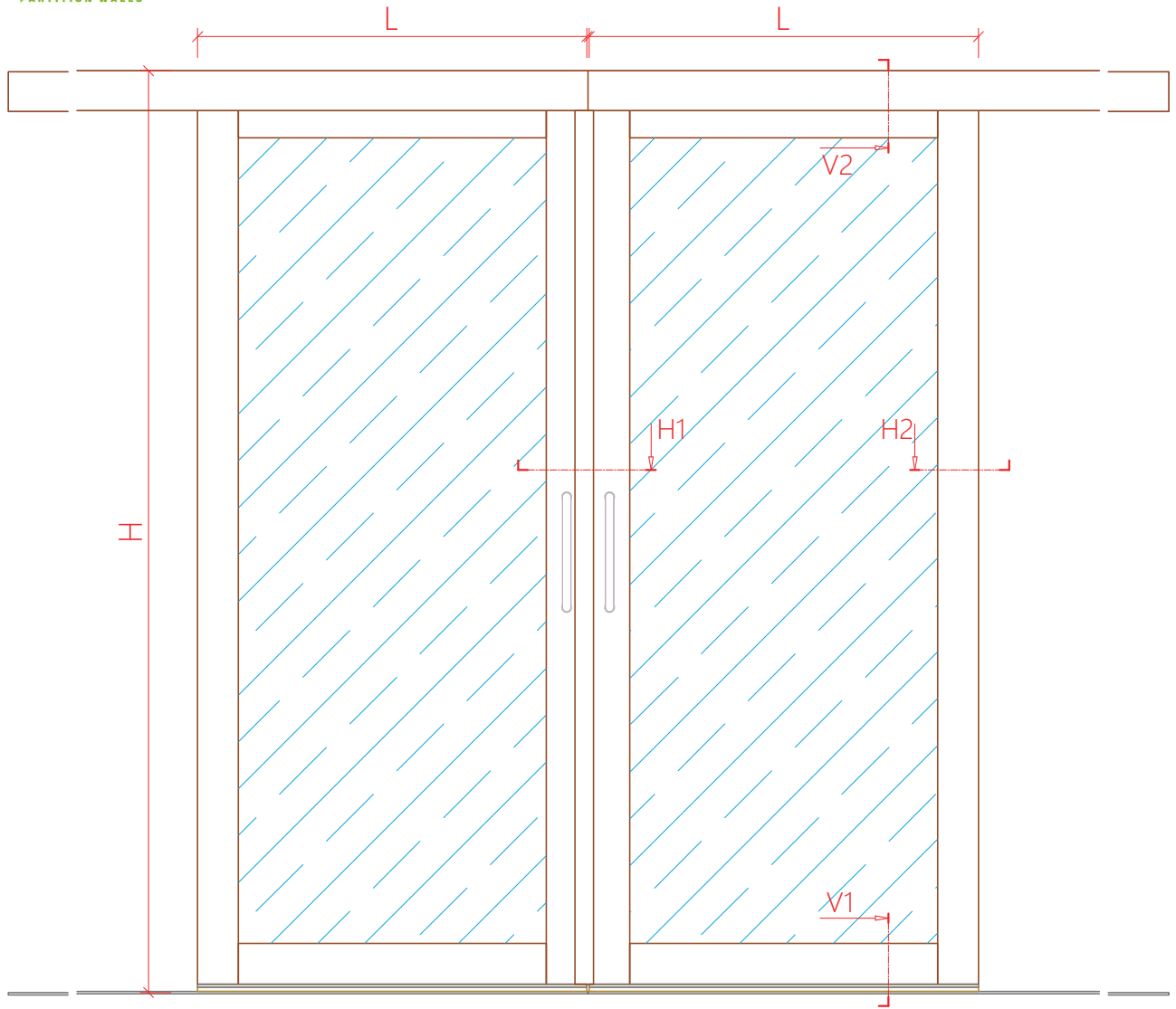
VARIOUS GLASS TYPES AVAILABLE\*

44.2 SC = Rw 32 dB (estimated result)

EXTRAS

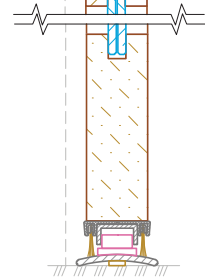
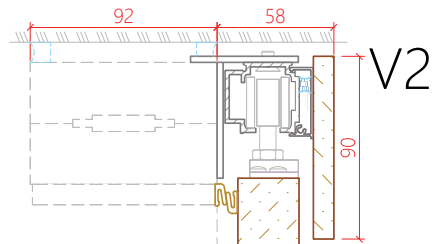
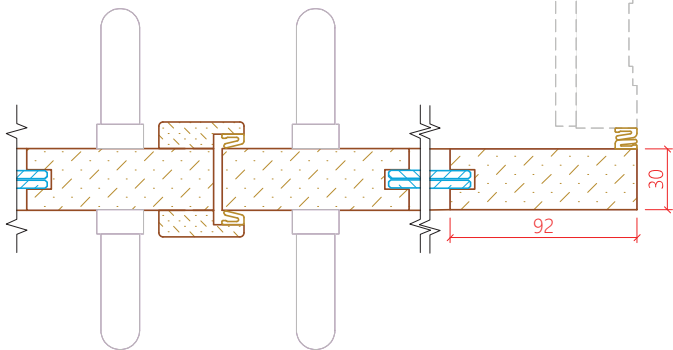
Glass tinting

\*Dimensions depend on the door weight (max 80 kg + 80 kg)  
Custom solutions available upon agreement



H1

H2



V1