

TEISELDATAV MOODULVAHESEINA SÜSTEEM ALATAR

# ALATAR TSENTRILINE PÕRANDASIINIGA

Voldikseinad on põrandasiiniga ning koosnevad seinapaneelidest, mis on omavahel ühendatud hingedega ning mille ladustamine seina avanemisel toimub siini otsas

Kanderullik on paneeli keskel

Paneelide, lae ja põranda vahel on heliisolatsiooni tihendid

Seina eri paneelid on omavahel ühendatud hingedega

Voldikseinad iga paneel on varustatud süvistatud sulguriga, mille abil lukustatakse sein eraldi käepidet/linki kasutades



## PANEELIDE LAIUS

Max 900 mm

## SÜGAVUS

92 mm

## PROFIILIDE MATERJAL

Alumiinium

## SIINI- JA PIIRDEPROFIILIDE VIIMISTLUS\*

RAL9010

## PANEELIDE SERVAPROFIILIDE VIIMISTLUS\*

Naturaalne anodeering

## PANEELIDE TÄITEMATERJAL\*

Valge melamiin (standard), värvitud melamiin (RAL, Tikkurila, NCS kataloogid), dekooriga melamiin, naturaalne spoon, kõrgsurvelaminaat (HPL)

## LUKUKORPUS\*\*

Rull-lukk (DIN südamikuga)

## KÄEPIDE

Süvistatud

## HELIISOLATSIOON\*\*\*

Rw = 45 dB (30 kg/m<sup>2</sup>)

Rw = 49 dB (55 kg/m<sup>2</sup>)

\*\*\*Oletuslik helipidavus

## LISAD

Paneelid klaasiavadega, magnetahvel, koolitahvel

\*Eriviimistlused vastavalt kokkuleppele

\*\*Eri lahendused vastavalt kokkuleppele

Gabariitmõõdud kahepoolne

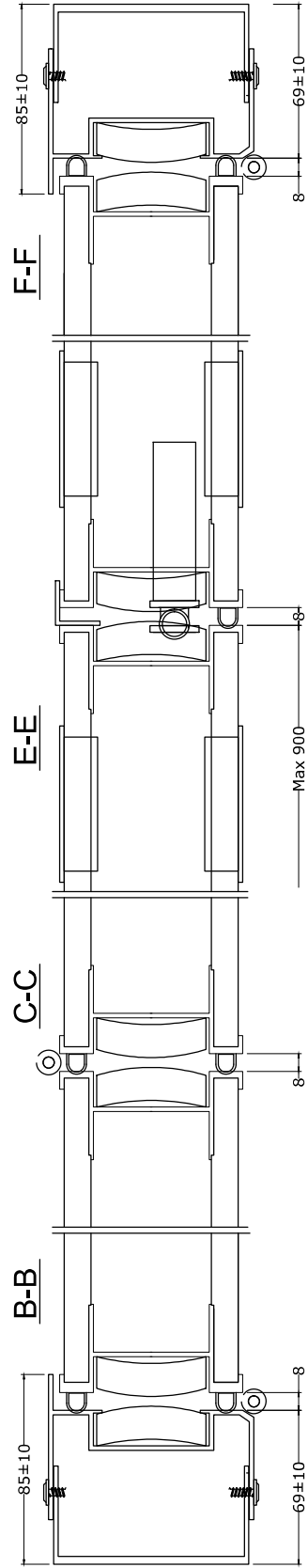
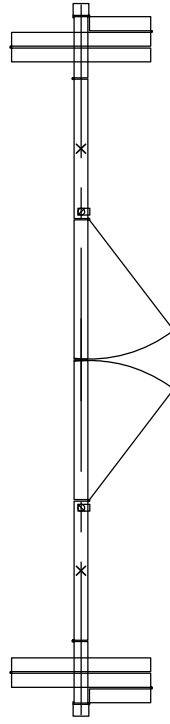
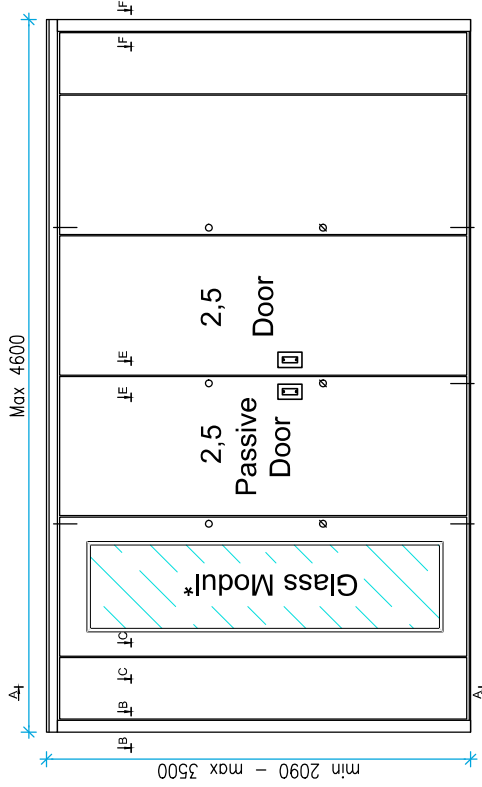
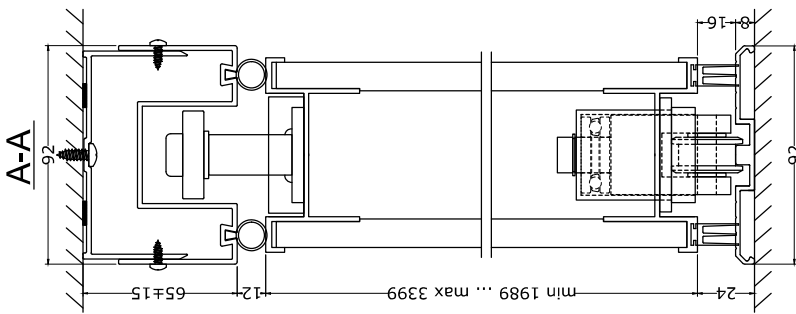
<b>Paneeli arv</b>	<b>2,5</b>	<b>4,5</b>	<b>6,5</b>	<b>8,5</b>
<b>laius (mm)</b>	1500 - 2350	2300 - 4200	3500 - 6000	4500 - 7500
<b>kõrgus (mm)</b>	2090 - 3500			

Gabariitmõõdud kahepoolne

<b>Paneeli arv</b>	<b>2,5 + 2,5</b>	<b>4,5 + 4,5</b>	<b>6,5 + 6,5</b>	<b>8,5 + 8,5</b>
<b>laius (mm)</b>	3000 - 4600	4500 - 8300	6800 - 11800	9000 - 15000
<b>kõrgus (mm)</b>	2090 - 3500			

# ALATAR center floor track 2.5+2.5 panels

Rw=45dB (30kg/m2) / Rw=49dB (55kg/m2)

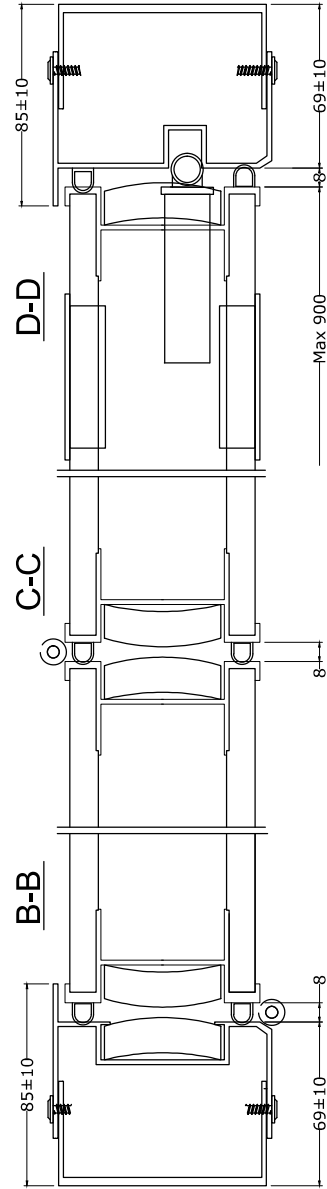
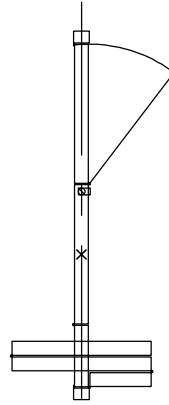
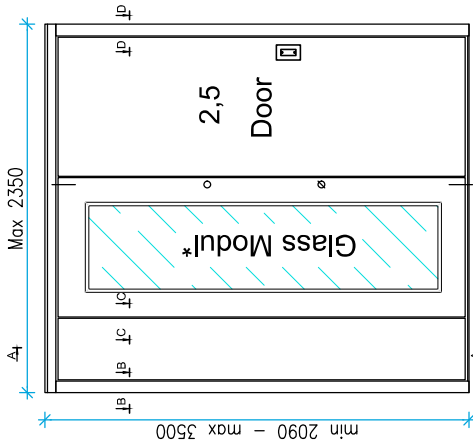
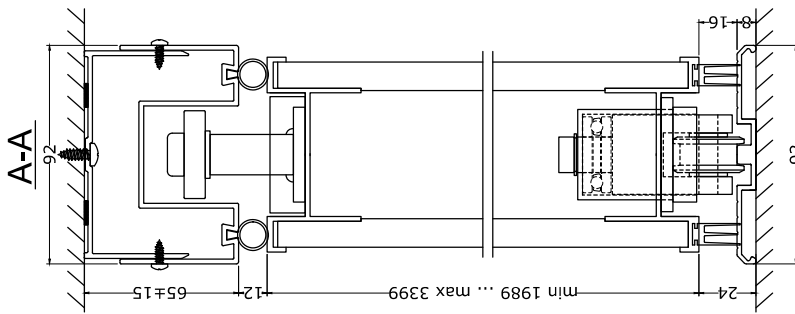


- × -backside spingalet to floor
- -frontside spingalet to ceiling
- ⊗ -frontside spingalet to floor
- \* -Glass module, available on request

<b>WALLENIUM OÜ</b>		<b>Alatar</b>	
Veeamägi 40a Tallinn 10138 Eesti		ALATAR center floor track 2,5 + 2,5	
tel +372 600 3749 fax + 372 600 3748		Customer -	
		File name	ALATAR_center floor track_ARH_22.07.2021.dwg
Page	5	ID -	Date
Papers	8		22.07.2021
Paper size	A3	Stage	Architectural
Scale		let.	
		Constructor	Roland Randmäe
		tel.	+372 501 1908

# ALATAR center floor track 2.5 panels

Rw=45dB (30kg/m2) / Rw=49dB (55kg/m2)

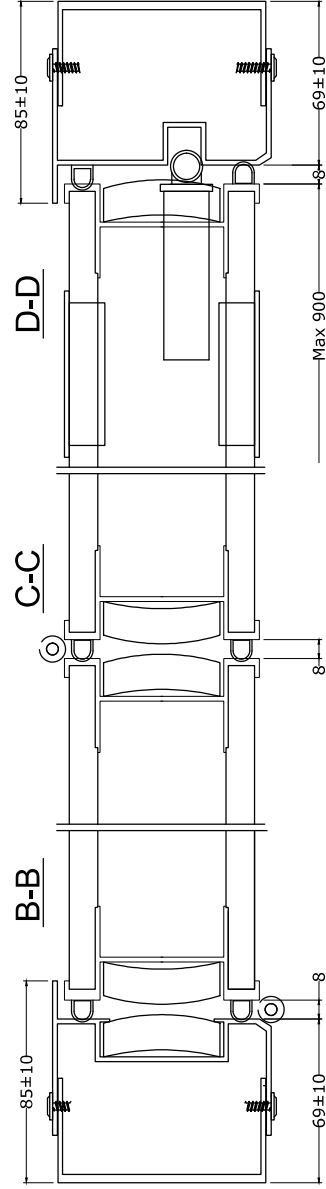
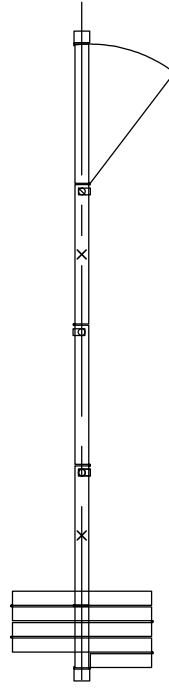
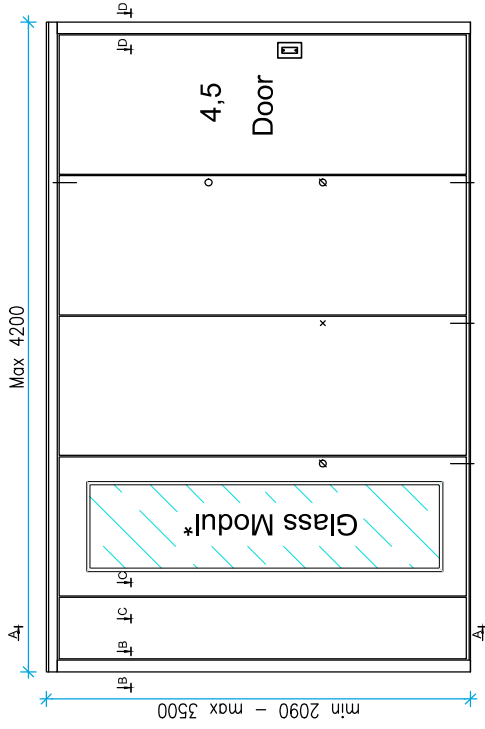
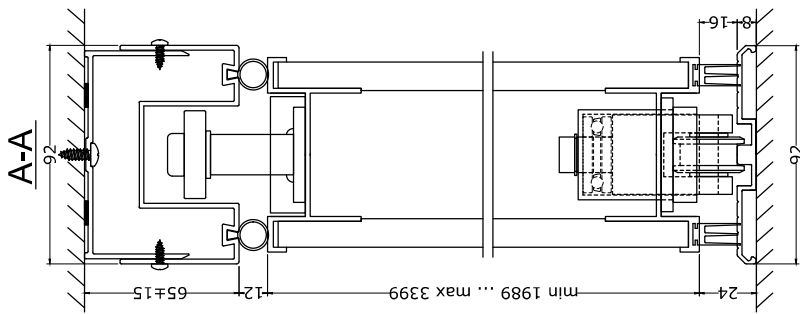


- ✕ -backside spingalet to floor
- -frontside spingalet to ceiling
- ◊ -frontside spingalet to floor
- \* -Glass module; available on request

<b>WALLENIUM OÜ</b>		<b>Alatar</b>	
Veetenni, 40a Tallinn 10138 Estonia tel + 372 600 3749 fax + 372 600 3748		ALATAR center floor track 2.5	
		Customer -	
Object	Name	File name	ALATAR_center floor track_ARH_22.07.2021.dwg
	Obj. address	ID -	Date
		1	22.07.2021
		8	
		A3	
		Constructor	Roland Randimäe
		Tel.	+372 501 1908

# ALATAR center floor track 4.5 panels

Rw=45dB (30kg/m2) / Rw=49dB (55kg/m2)



- X -backside spingalet to floor
- -frontside spingalet to ceiling
- ⊗ -frontside spingalet to floor
- \* -Glass module; available on request

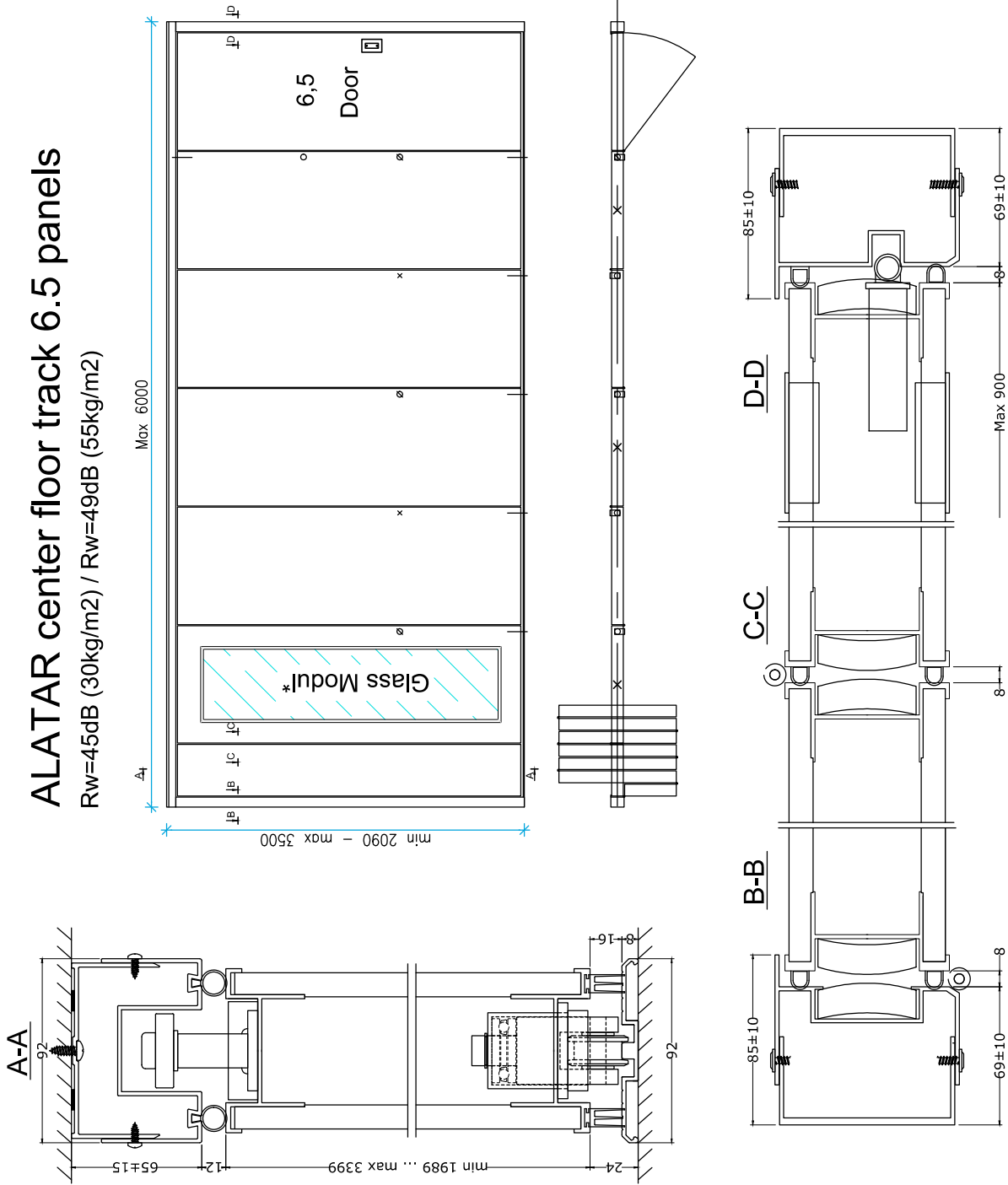
Object	Alatar		
Name	ALATAR center floor track 4,5		
Obj. address	Customer -		
File name	ALATAR_center floor track_ARH_22.07.2021.dwg	Date	22.07.2021
Page	2	ID	-
Page size	8	Scale	Architectural
Paper size	A3	Constructor	Roland Randmäe
Scale		Rel.	+372 501 1908

## WALLENIUM OÜ

Veetorni 40a  
Tallinn 10138  
Estonia  
tel + 372 600 3749  
fax + 372 600 3748

# ALATAR center floor track 6.5 panels

Rw=45dB (30kg/m2) / Rw=49dB (55kg/m2)

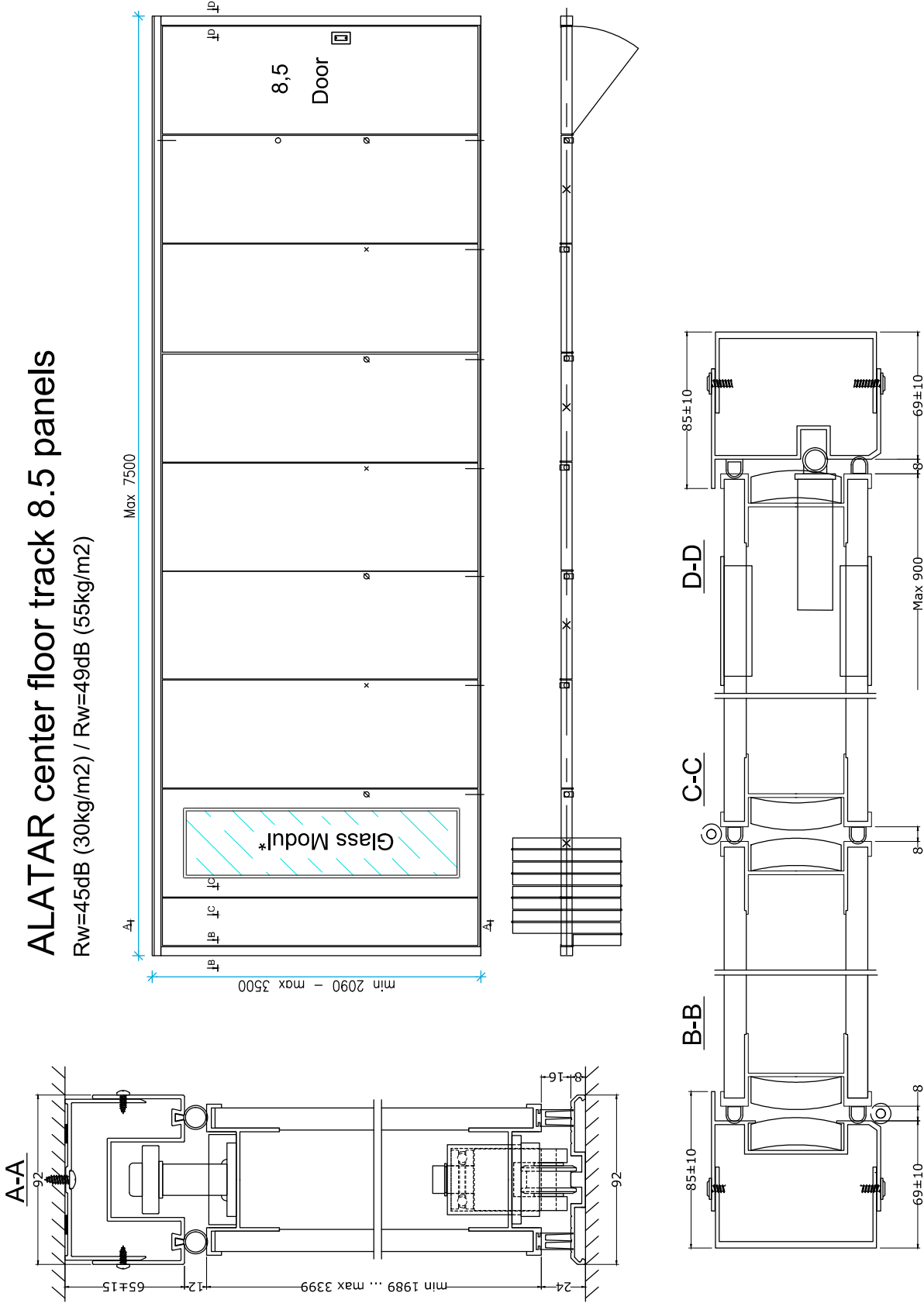


- × -backside spingalet to floor
- -frontside spingalet to ceiling
- ∅ -frontside spingalet to floor
- \* -Glass module; available on request

<b>WALLENIUM OÜ</b>		<b>Alatar</b>	
Veeremi 40a Tallinn 10138 Estonia tel + 372 600 3749 fax + 372 600 3748		ALATAR center floor track 6,5	
		Customer -	
Objekt	Name	File name	ALATAR_center floor track_ARH_22.07.2021.dwg
	Obj. address -	ID -	Date
		Page	3
		Pages	8
		Paper size	A3
		Scale	
		Stage	Architectural
		Date	22.07.2021
		tel.	
		tel.	+372 501 1908
		Constructor	Roland Randmäe

# ALATAR center floor track 8.5 panels

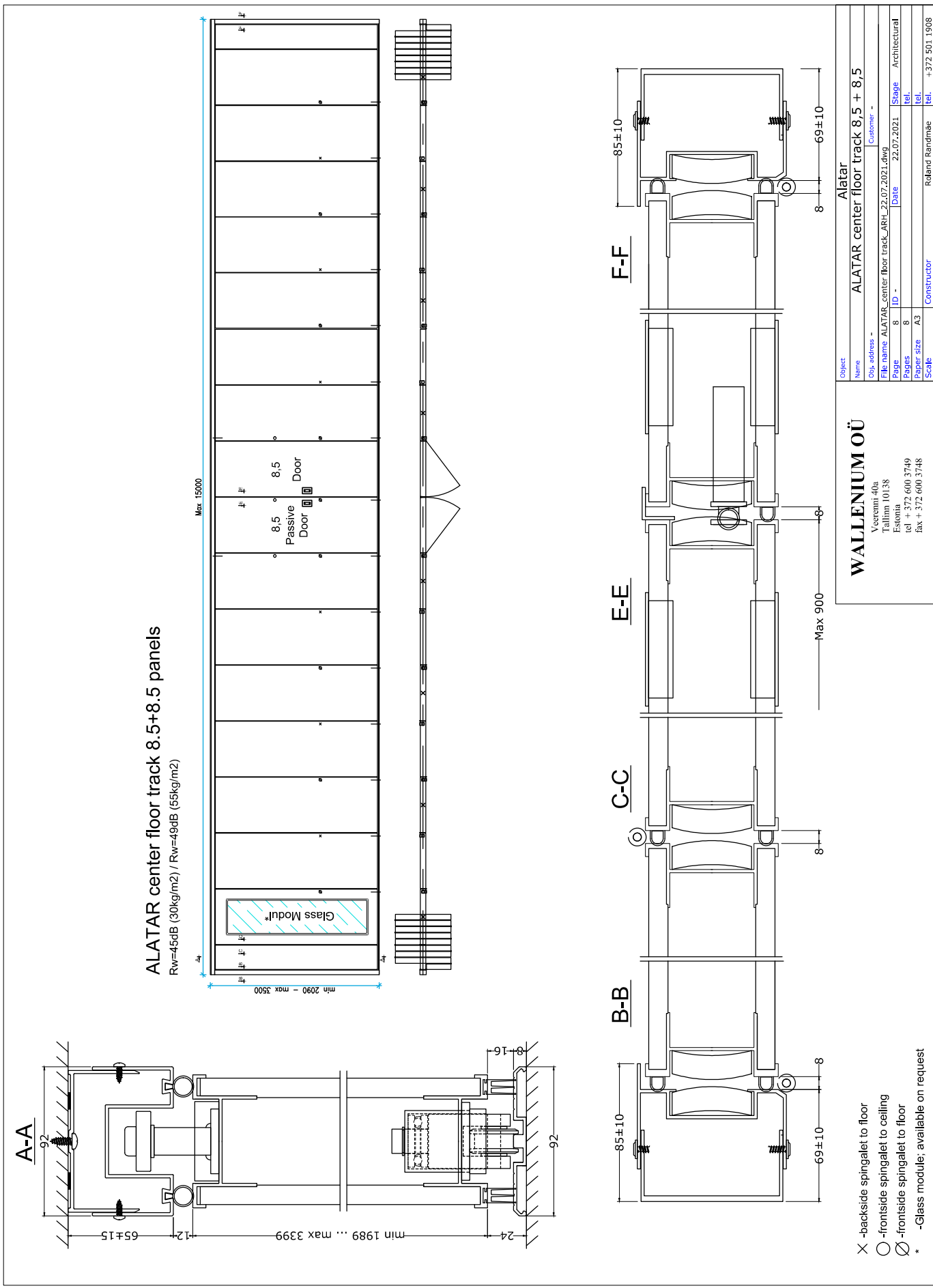
Rw=45dB (30kg/m2) / Rw=49dB (55kg/m2)



- × -backside spingalet to floor
- -frontside spingalet to ceiling
- ∅ -frontside spingalet to floor
- \* -Glass module; available on request

<b>Objekt</b>		Alatar	
<b>Name</b>		ALATAR center floor track 8,5	
<b>Obj. address</b>		Customer -	
<b>File name</b> ALATAR_center floor track_ARL_22.07.2021.dwg			
<b>Page</b>	4	<b>Date</b>	22.07.2021
<b>Pages</b>	8	<b>Stage</b>	Architectural
<b>Paper size</b>	A3	<b>Tel.</b>	
<b>Scale</b>		<b>Constructor</b>	Roland Randmäde
		<b>Tel.</b>	+372 501 1908

**WALLENIUM OÜ**  
 Veeremi 40a  
 Tallinn 10138  
 Estonia  
 tel + 372 600 3749  
 fax + 372 600 3748



**ALATAR center floor track 8.5+8.5 panels**

Rw=45dB (30kg/m2) / Rw=49dB (55kg/m2)

<b>Object</b> Alatar	
<b>Name</b>	ALATAR center floor track 8,5 + 8,5
<b>Obj. address</b>	Customer -
<b>File name</b>	ALATAR_center floor track_ARH_22.07.2021.dwg
<b>Page</b>	8
<b>ID</b>	22.07.2021
<b>Date</b>	22.07.2021
<b>Stage</b>	Architectural
<b>Paper size</b>	A3
<b>Scale</b>	1:1
<b>Constructor</b>	Roland Handmale
<b>tel.</b>	+372 501 1908

<b>WALLENIUM OÜ</b>	
Vesemägi 40a	
Tallinn 10138	
Estonia	
tel	+ 372 600 3749
fax	+ 372 600 3748

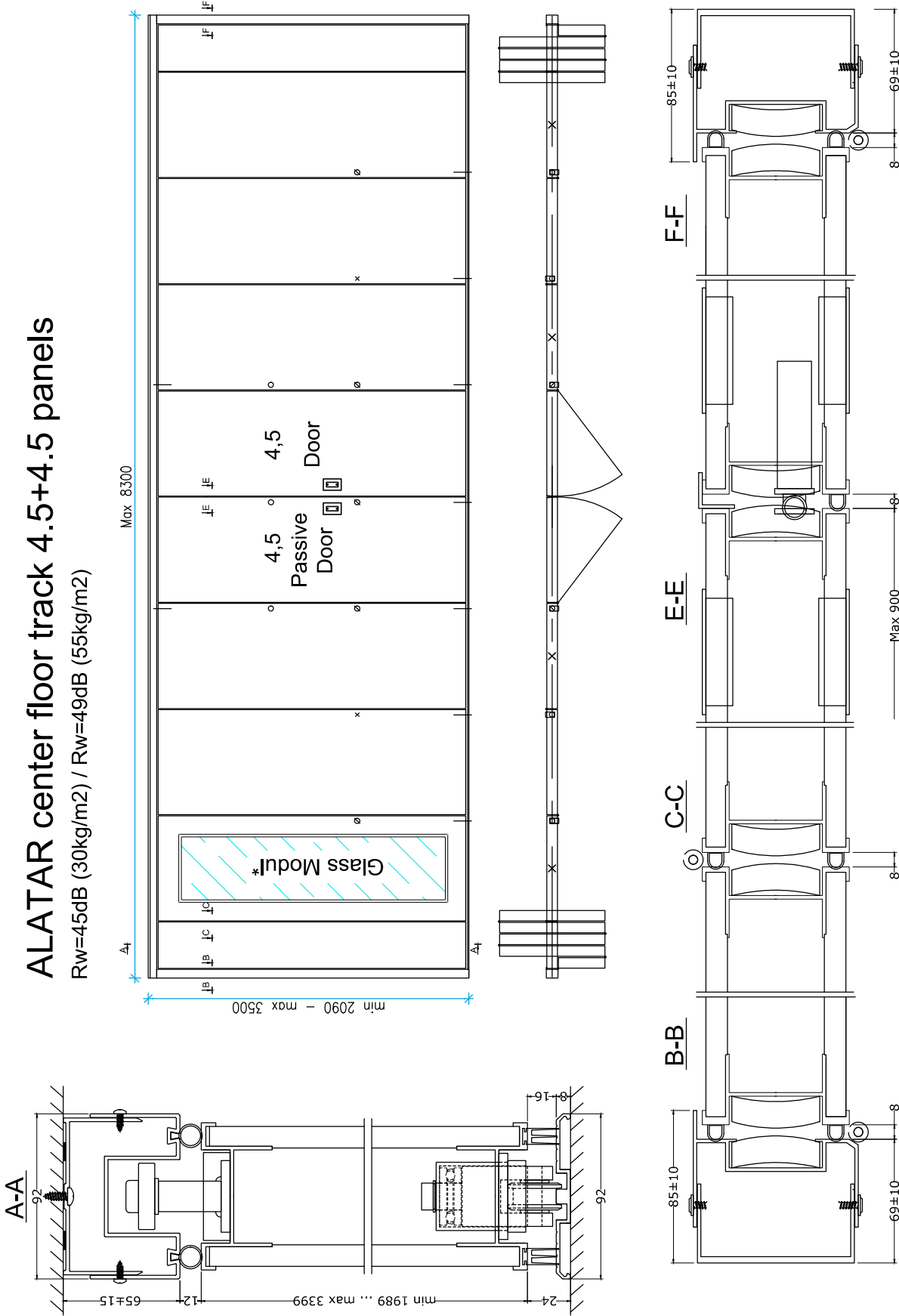
  

- X -backside spingalet to floor
- O -frontside spingalet to ceiling
- Ø -frontside spingalet to floor
- \* -Glass module; available on request



# ALATAR center floor track 4.5+4.5 panels

Rw=45dB (30kg/m2) / Rw=49dB (55kg/m2)



<b>Object</b> Alatar	
<b>Name</b>	ALATAR center floor track 4,5 + 4,5
<b>Obj. address</b>	Customer -
<b>File name</b>	ALATAR center floor track_ARH_22.07.2021.dwg
<b>Page</b>	6
<b>Date</b>	22.07.2021
<b>Stage</b>	Architectural
<b>Paper size</b>	A3
<b>Scale</b>	1:1
<b>Constructor</b>	Roland Randmaa
<b>tel.</b>	+372 501 1908

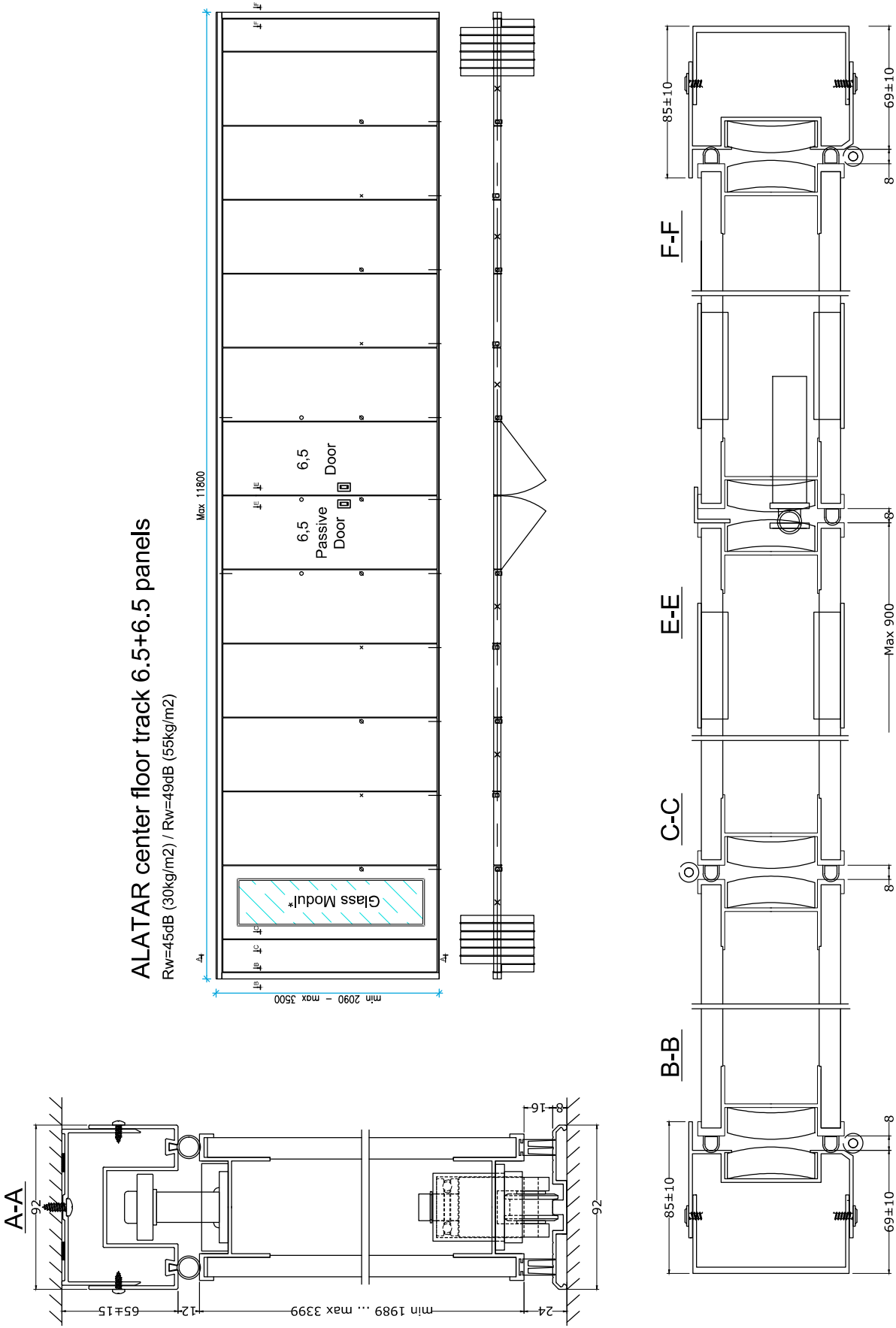
  

<b>WALLENIUM OÜ</b>	
Veeremi 40a	
Tallinn 10138	
Estonia	
tel	+ 372 600 3749
fax	+ 372 600 3748

- X - backside spingalet to floor
- - frontside spingalet to ceiling
- ⊗ - frontside spingalet to floor
- \* - Glass module; available on request

## ALATAR center floor track 6.5+6.5 panels

Rw=45dB (30kg/m<sup>2</sup>) / Rw=49dB (55kg/m<sup>2</sup>)



<b>Object</b>		Alatar	
<b>Name</b>		ALATAR center floor track 6,5 + 6,5	
<b>Obj. address</b>		Customer -	
<b>File name</b>		ALATAR_center floor track_ARH_22.07.2021.dwg	
<b>Page</b>	<b>ID</b>	<b>Date</b>	<b>Stage</b>
7		22.07.2021	Architectural
<b>Pages</b>	<b>8</b>		
<b>Paper size</b>	<b>A3</b>		
<b>Scale</b>		<b>Constructor</b>	
		Roland Randmäde	
			tel. +372 501 1908

### WALLENIUM OÜ

Verevandi 40a  
Tallinn 10138  
Eesti  
tel + 372 600 3749  
fax + 372 600 3748

- X -backside springalet to floor
- O -frontside springalet to ceiling
- Ø -frontside springalet to floor
- \* -Glass module; available on request