

TEISELDATAV MOODULVAHESEINA SÜSTEEM ALATAR

ALATAR EKSTSENTRILINE PÕRANDASIINIGA

Voldikseinad on põrandasiiniga ning koosnevad seinapaneelidest, mis on omavahel ühendatud hingedega ning mille ladustamine seinä avanemisel toimub siini otsas
Kanderullik on paneeli ühes ääres
Paneelide, lae ja põranda vahel on heliisolatsiooni tihendid
Seina eri paneelid on omavahel ühendatud hingedega
Voldikseinä iga paneel on varustatud süvistatud sulguriga, mille abil lukustatakse seinä eraldi käepidet / linki kasutades

PANEELIDE LAIUS

Max 850 mm

SÜGAVUS

92 mm



PROFIILIDE MATERJAL

Alumiinium

SIINI- JA PIIRDEPROFIILIDE VIIMISTLUS*

RAL9010

PANEELIDE SERVAPROFIILIDE VIIMISTLUS*

Naturaalne anodeering

PANEELIDE TÄITEMATERJAL*

Valge melamiin (standard), värvitud melamiin (RAL, Tikkurila, NCS kataloogid), dekooriga melamiin, naturaalne spoon, kõrgsurvelaminaat (HPL)

LUKUKORPUS**

Rull-lukk (DIN südamikuga)

KÄEPIDE

Süvistatud

HELIISOLATSIOON***

Rw = 45 dB (30 kg/m²)

Rw = 49 dB (55 kg/m²)

***Oletuslik helipidavus

LISAD

Paneelid klaasiavadega, magnetahvel, koolitahvel

*Eriviimistlused vastavalt kokkuleppele

**Eriühendused vastavalt kokkuleppele

Gabariitmõõdud ühepoolne

Paneeli arv	2,5	4,5	6,5	8,5
laius (mm)	1500 - 2350	2300 - 4200	3500 - 6000	4500 - 7500
kõrgus (mm)	2090-3500****			

Gabariitmõõdud kahepoolne

Paneeli arv	2,5 + 2,5	4,5 + 4,5	6,5 + 6,5	8,5 + 8,5
laius (mm)	3000 - 4600	4500 - 8300	6800 - 11800	9000 - 15000
kõrgus (mm)	2090-3500****			

****Ava kõrgusest sõltub mooduli lubatav laius:

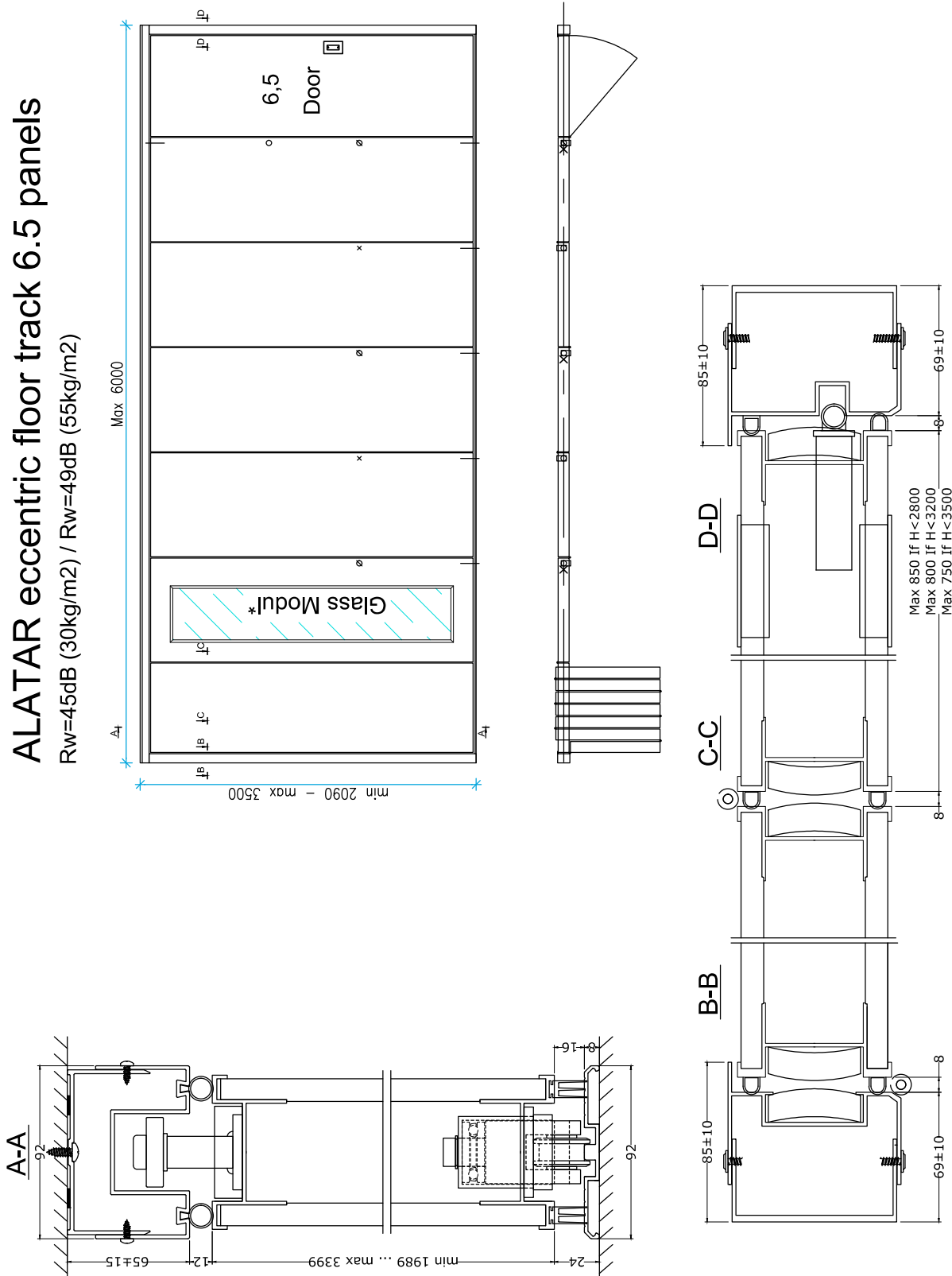
2090 - 2800 mm - max 850 mm

2801 - 3200 mm - max 800 mm

3201 - 3500 mm - max 750 mm

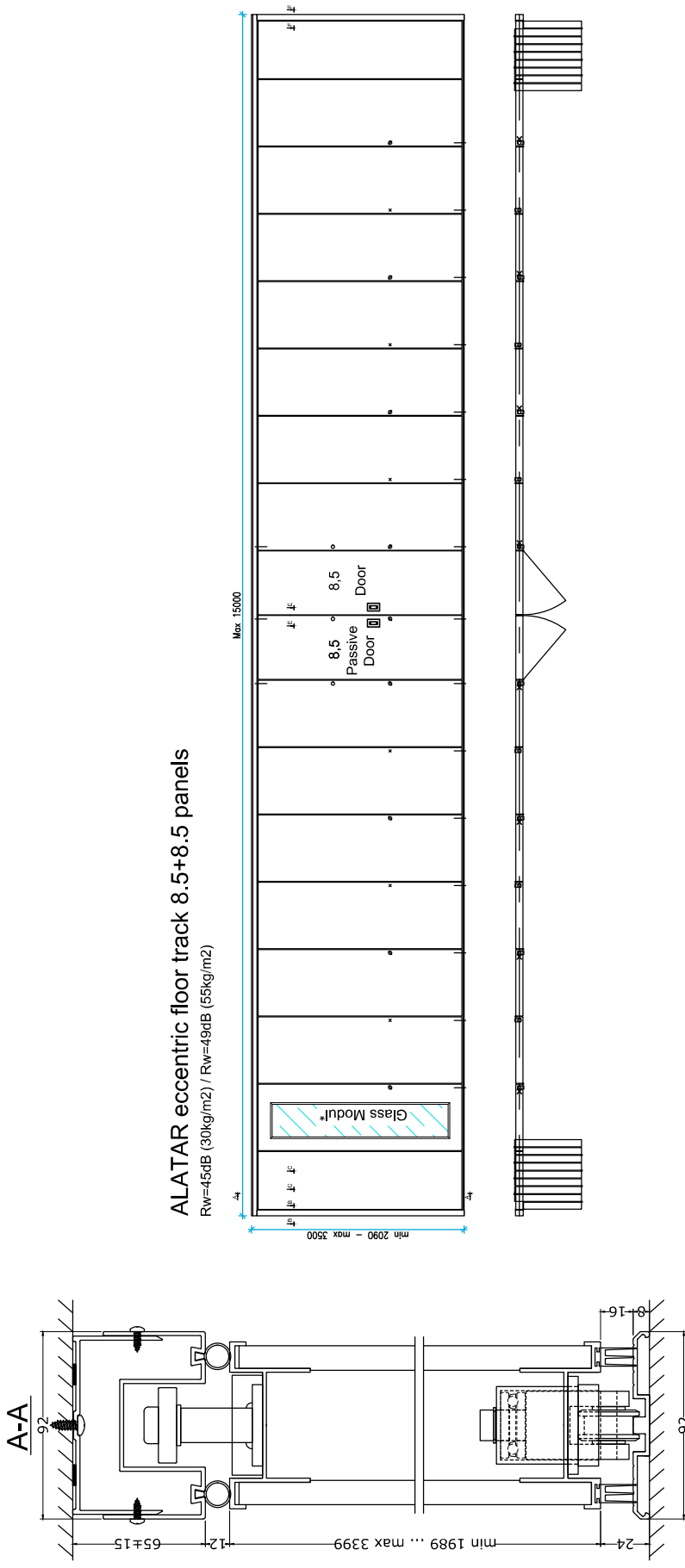
ALATAR eccentric floor track 6.5 panels

Rw=45dB (30kg/m²) / Rw=49dB (55kg/m²)

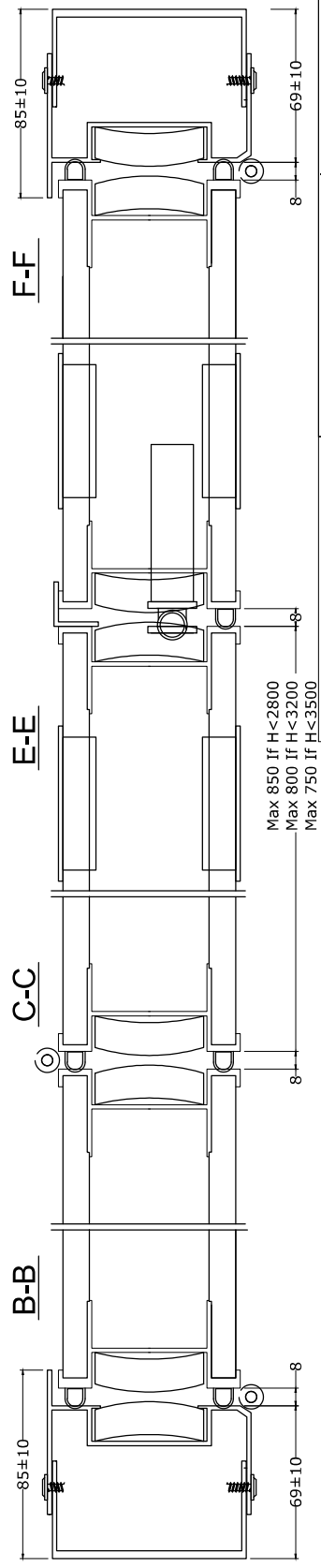


- × -backside spingalet to floor
- -frontside spingalet to ceiling
- ◊ -frontside spingalet to floor
- * -Glass module; available on request

WALLENIUM OÜ		Alatar	
V. Siremi 46a Tallinn 10138 Estonia tel + 372 600 3749 fax + 372 600 3748		ALATAR eccentric floor track 6.5	
Objekt	Name	Objekt	Client
File name	ALATAR_eccentric floor track_ARH_22.07.2021.dwg	Date	22.07.2021
Page	3	ID -	
Pages	3	Date	22.07.2021
Paper size	A3	Scale	
Scale		Constructor	Karl-Kristjan Saks
		Rel.	+372 5694 2225



ALATAR eccentric floor track 8.5+8.5 panels
Rw=45dB (30kg/m2) / Rw=49dB (55kg/m2)



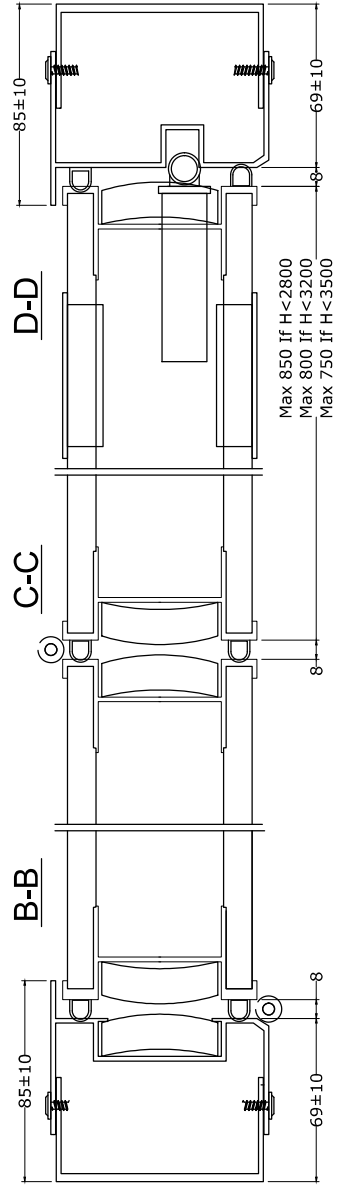
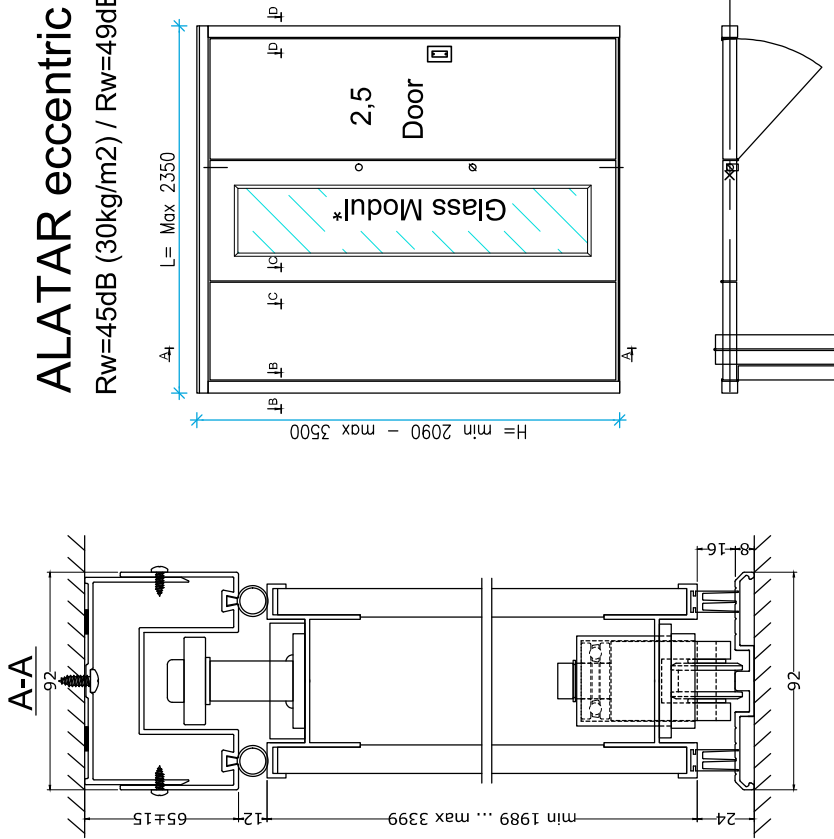
Object	Alatar
Name	ALATAR eccentric floor track 8,5 + 8,5
Obj. address	Customer -
File name	ALATAR_eccentric floor track_ARH_22.07.2021.dwg
Page	8
ID	8
Date	22.07.2021
Stage	Architectural
Paper size	A3
Scale	1:1
Constructor	Kari-Kristjan Saks
tel.	+372 5694 2225

WALLENIUM OÜ
 Veerami ära
 Tallinn 10138
 Estonia
 Tel + 372 600 3749
 Fax + 372 600 3748

- X -backside spingalet to floor
- -frontside spingalet to ceiling
- ⊗ -frontside spingalet to floor
- * -Glass module; available on request

ALATAR eccentric floor track 2.5 panels

Rw=45dB (30kg/m2) / Rw=49dB (55kg/m2)

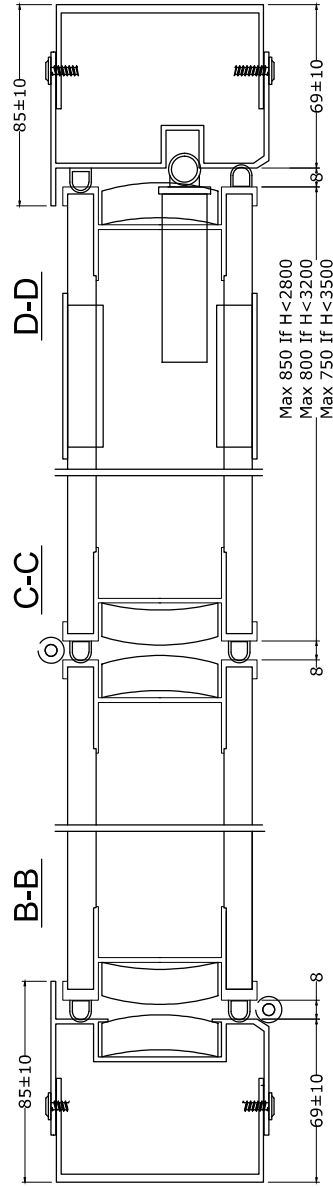
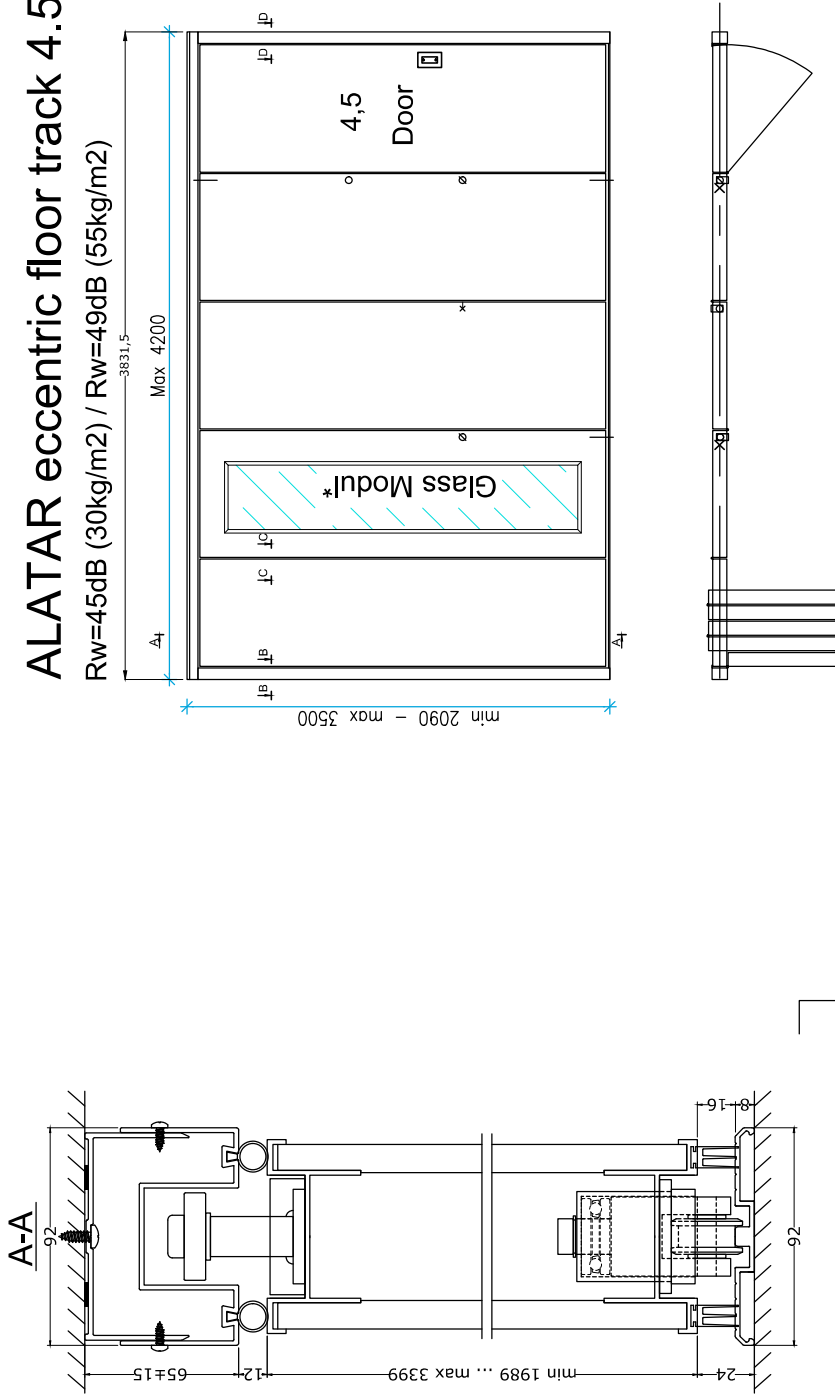


WALLENIUM OÜ		Alatar	
Veerenni 40a Tallinn 10138 Eestonia tel + 372 600 3749 fax + 372 600 3748		ALATAR eccentric floor track 2,5	
Object Name		Customer -	
Obj. address -		-	
File name ALATAR_eccentric floor track_ARH_22.07.2021.dwg		Date 22.07.2021	
Page 8	ID -	Stage	Architectural
Pages 8	Scale	Constructor	Ker-Kristjan Saks
Paper size A3		tel.	+372 5694 2225

- × -backside spingalet to floor
- -frontside spingalet to ceiling
- ⊗ -frontside spingalet to floor
- * -Glass module, available on request

ALATAR eccentric floor track 4.5 panels

Rw=45dB (30kg/m2) / Rw=49dB (55kg/m2)



- ✕ -backside spingalet to floor
- -frontside spingalet to ceiling
- ⊗ -frontside spingalet to floor
- * -Glass module; available on request

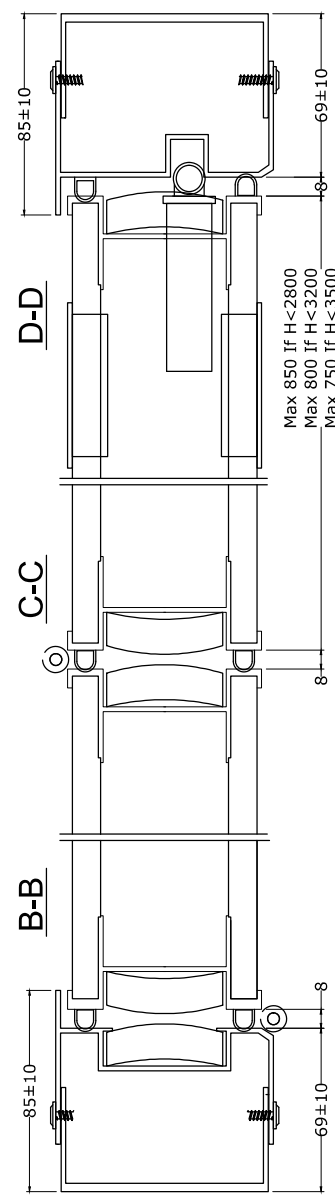
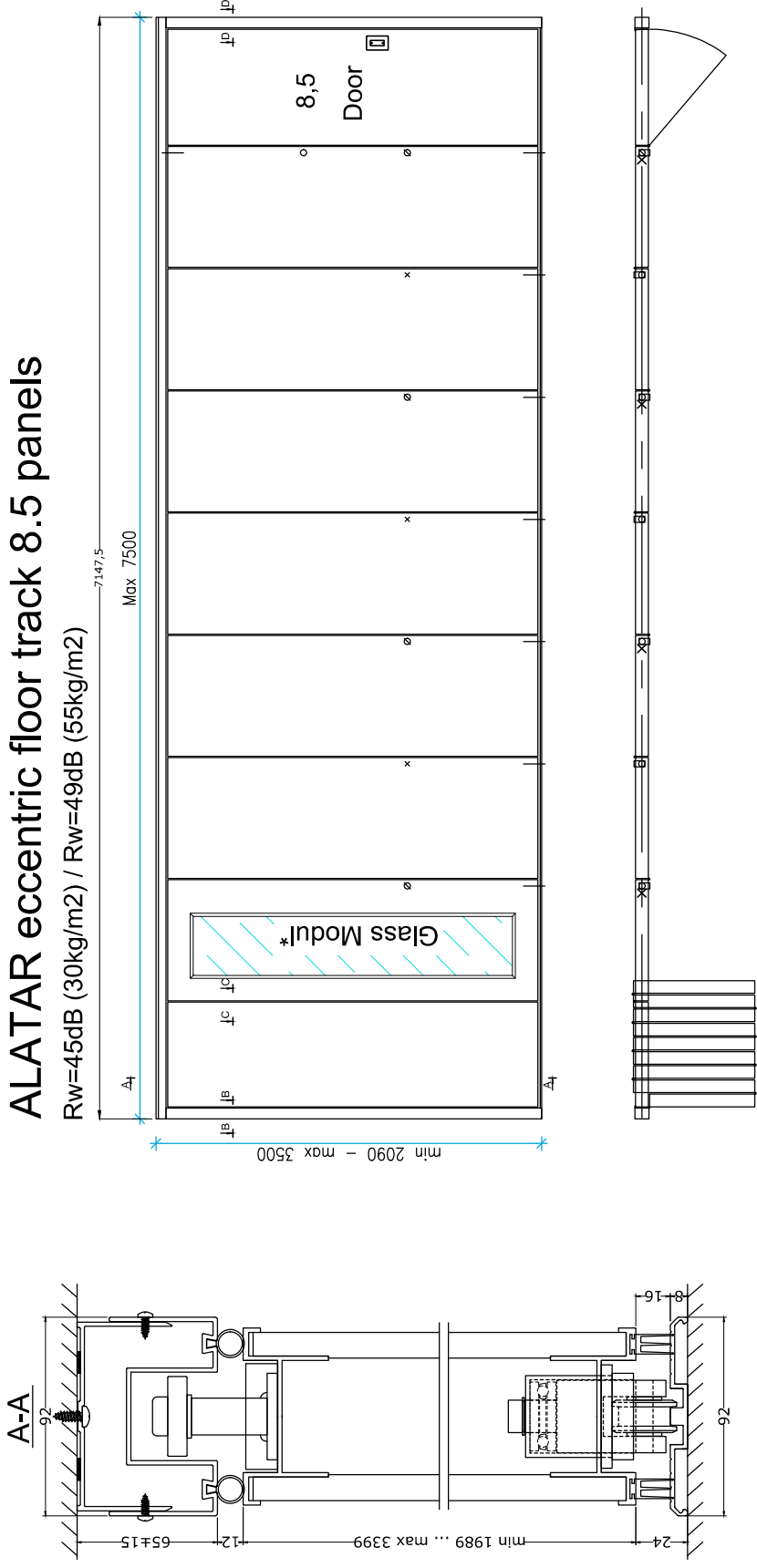
WALLENIUM OÜ

Veeenni 40a
Tallinn 10138
Estonia
tel + 372 600 3749
fax + 372 600 3748

Object	Alatar		
Name	ALATAR eccentric floor track 4,5		
Obj. address	Customer -		
File name	ALATAR_eccentric floor track_ARH_22.07.2021.dwg		
Page	ID -	Date	Stage
2		22.07.2021	Architectural
Pages	8		tel.
Paper size	A3		tel.
Scale	Constructor	Karl-Kristjan Saks	tel. +372 5694 2225

ALATAR eccentric floor track 8.5 panels

Rw=45dB (30kg/m2) / Rw=49dB (55kg/m2)

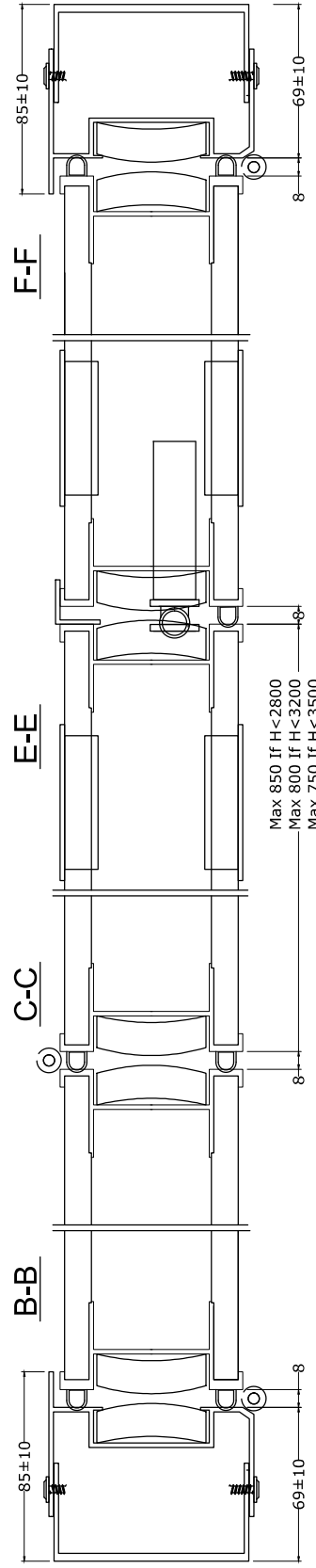
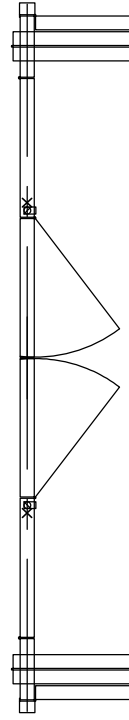
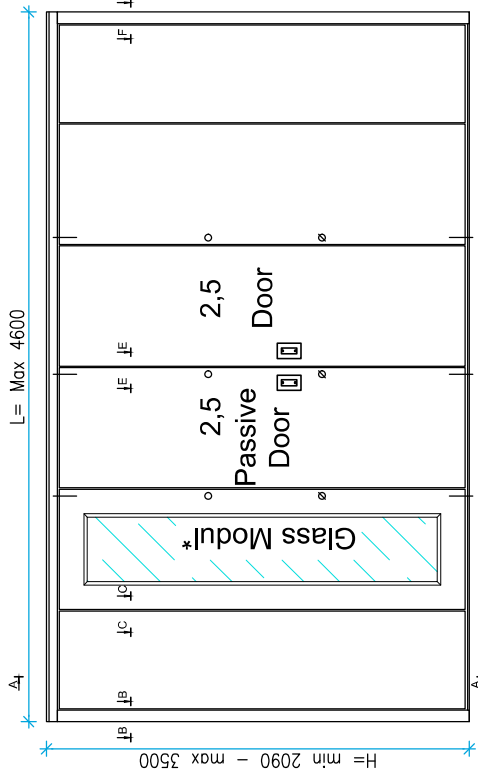
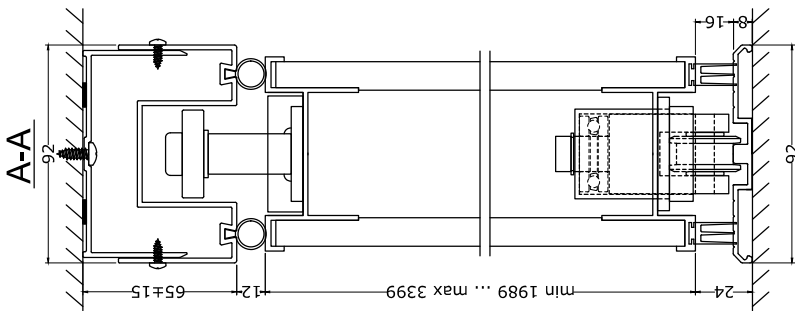


- × -backside spingalet to floor
- -frontside spingalet to ceiling
- ⊙ -frontside spingalet to floor
- * -Glass module; available on request

WALLENIUM OÜ		Alatar	
Veereini 40a Tallinn 10138 Eestonia tel + 372 600 3749 fax + 372 600 3748		ALATAR eccentric floor track 8,5	
Objekt	Name	Customer	
	Obj. address -		
File name	ALATAR_eccentric floor track_ARH_22.07.2021.dwg	Date	22.07.2021
Pages	4	Stage	Architectural
Paper size	A3	Tel.	
Scale		Constructor	Kari-Kristjan Saks
		Tel.	+372 5664 2225

ALATAR eccentric floor track 2.5+2.5 panels

Rw=45dB (30kg/m2) / Rw=49dB (55kg/m2)



- ✕ -backside spingalet to floor
- -frontside spingalet to ceiling
- ⊗ -frontside spingalet to floor
- * -Glass module; available on request

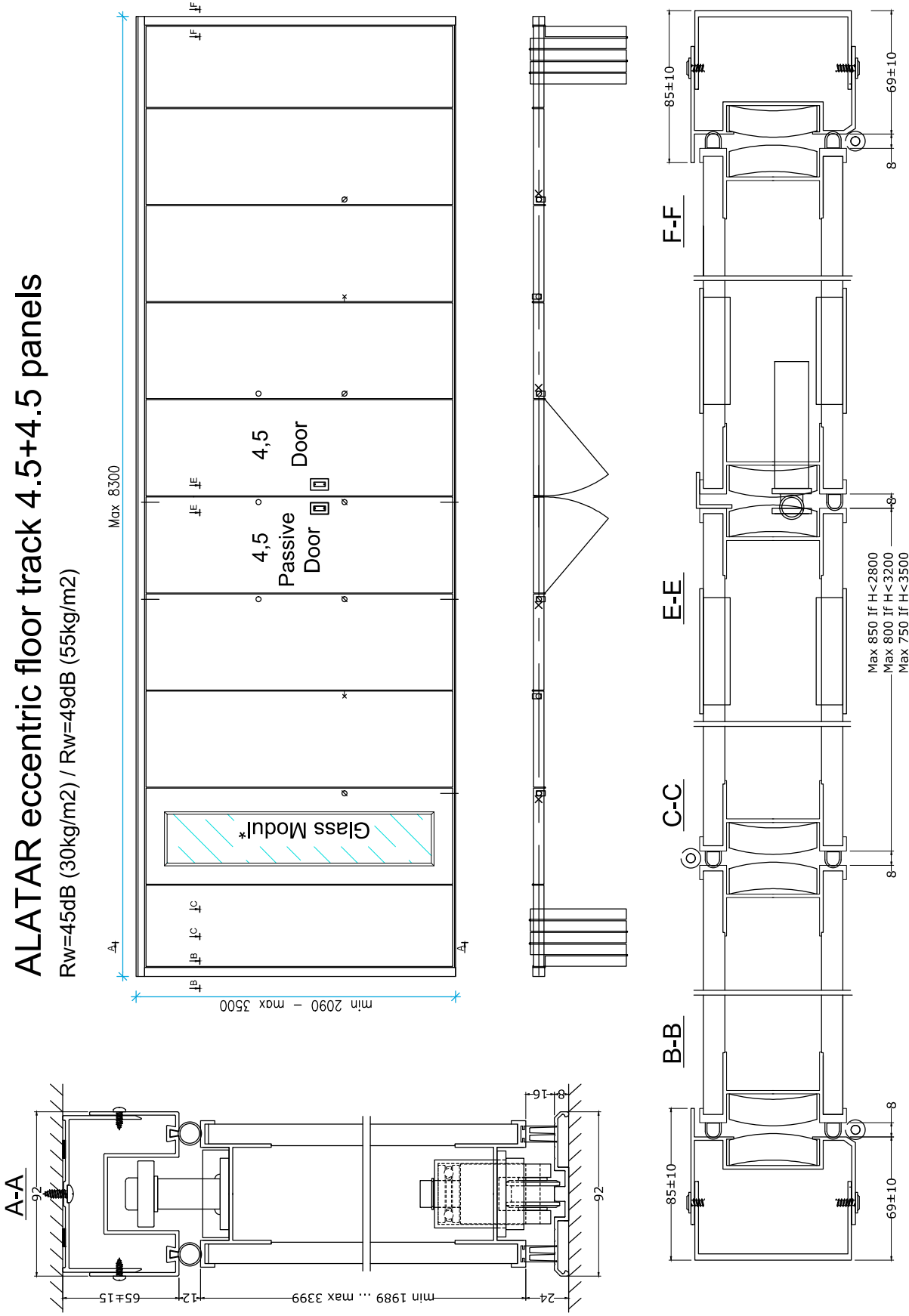
Object		Alatar	
Name	ALATAR eccentric floor track 2,5 + 2,5		
Obj. address	Customer -		
File name	ALATAR_eccentric floor track_ARI_22.07.2021.dwg		
Page	5	ID	22.07.2021
Pages	8	Date	Stage - Architectural
Paper size	A3	Scale	1:1
Constructor	Karh-Krisjain Saks		
tel.	+372 5694 2225		

WALLENIUM OÜ

Vereenni 40a
Tallinn 10138
Estonia
tel + 372 600 3749
fax + 372 600 3748

ALATAR eccentric floor track 4.5+4.5 panels

Rw=45dB (30kg/m²) / Rw=49dB (55kg/m²)



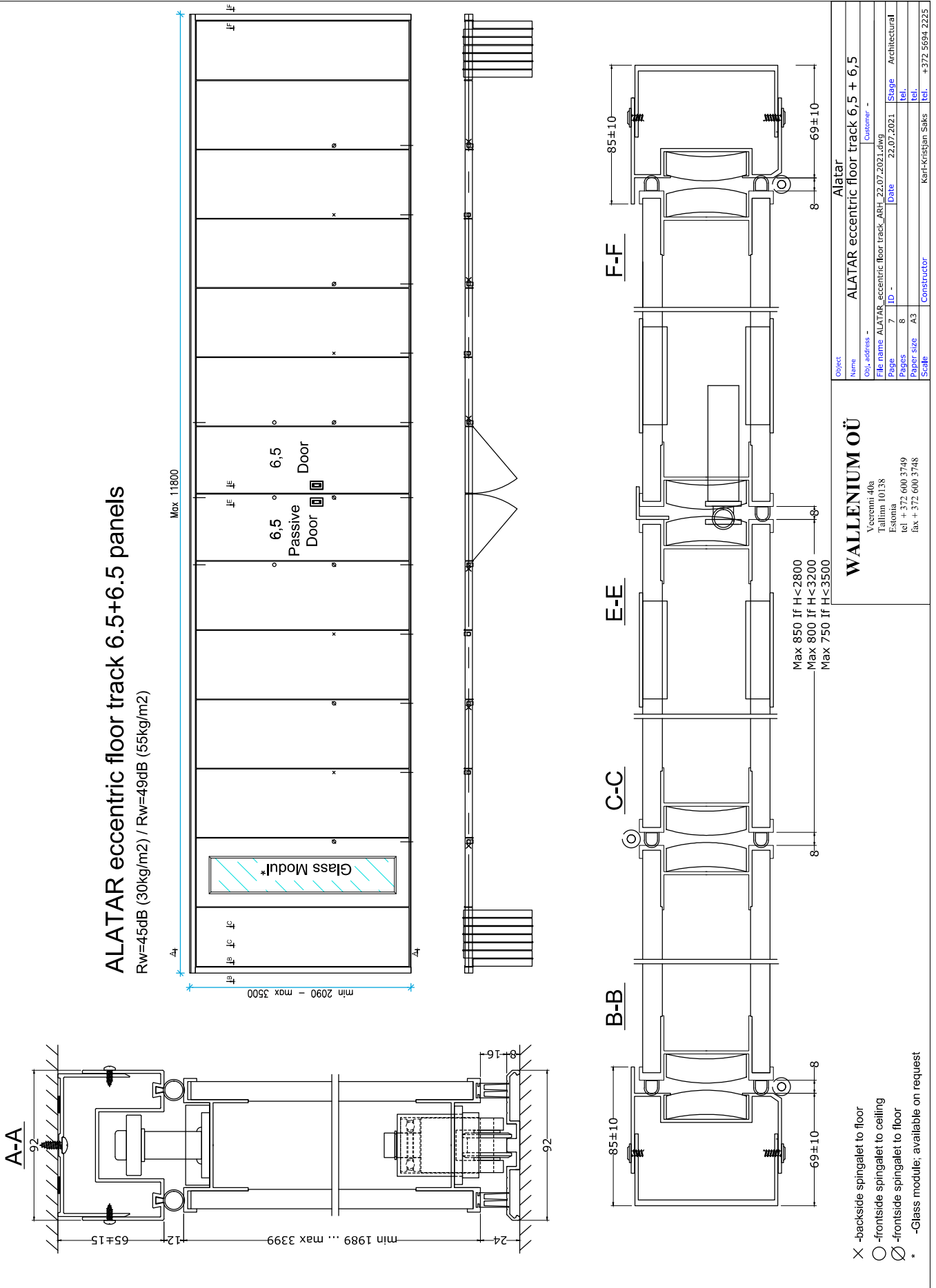
- X -backside spingalet to floor
- -frontside spingalet to ceiling
- -frontside spingalet to floor
- * -Glass module; available on request

Object	Alatar		
Name	ALATAR eccentric floor track 4,5 + 4,5		
Obj. address	Customer -		
File name	ALATAR_eccentric floor track_ARH_22.07.2021.dwg		
Page	6	ID -	Stage
Pages	8	Date	22.07.2021
Paper size	A3	tel.	Architectural
Scale	Constructor	tel.	
	Kari-Kristian Saks	tel.	+372 5694 2225

WALLENIUM OÜ
Veseremi 40a
Tallinn 10138
Estonia
tel + 372 600 3749
fax + 372 600 3748

ALATAR eccentric floor track 6.5+6.5 panels

Rw=45dB (30kg/m2) / Rw=49dB (55kg/m2)



WALLENIUM OÜ		Alatar	
Veerenni 40a Tallinn 10138 Estonia tel + 372 600 3749 fax + 372 600 3748		ALATAR eccentric floor track 6,5 + 6,5	
Customer -		Customer -	
File name ALATAR eccentric floor track_ARH_22.07.2021.dwg		Date 22.07.2021	
Page 7	ID -	Stage Architectural	tel.
Pages 8	8	Scale	tel.
Paper size A3	Constructor	Karl-Kristjan Saks tel. + 372 5694 2225	

- X -backside spingalet to floor
- O -frontside spingalet to ceiling
- -frontside spingalet to floor
- * -Glass module, available on request