

MODULAR PARTITION SYSTEM ALATAR

ALATAR ECCENTRIC WITH A FLOOR RAIL

Folding walls have a floor rail and consist of various wall panels that are interconnected via hinges and stored at the end of the rail when the wall opens
The support roller is along one edge of the panel
There are sound insulation seals between the panels, the ceiling and the floor
The various panels of the wall are interconnected via hinges
Each panel of the folding wall is equipped with a recessed latch, whereby the wall is locked using a separate handle/lever



PANEL WIDTH

Max 850 mm

DEPTH

92 mm

PROFILE MATERIAL

Aluminium

FINISH FOR RAIL AND TRIM PROFILES*

RAL9010

FINISH FOR PANEL EDGE PROFILES*

Natural anodisation

PANEL FILLING MATERIAL*

White melamine (standard)
painted melamine (RAL, Tikkurila, NCS catalogues)
decorated melamine, natural veneer
high-pressure laminate (HPL)

LOCK CASE

Roller lock (DIN locking cylinder)

HANDLE

Recessed

SOUND INSULATION***

Rw = 45 dB (30 kg/m²)

Rw = 49 dB (55 kg/m²)

***Estimated sound insulation performance

EXTRAS

Panels with glass openings, magnetic board, whiteboard

*Custom finishes upon agreement

**Custom solutions upon agreement

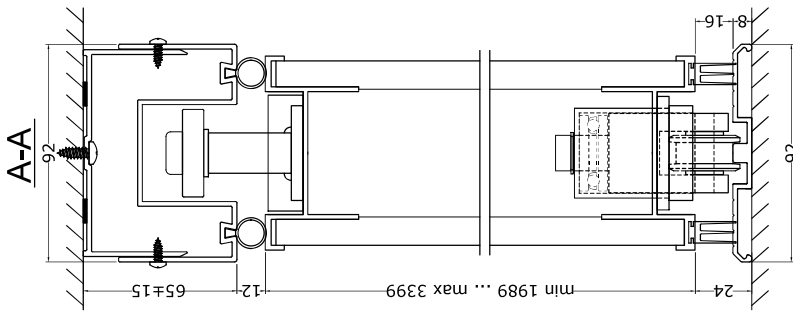
Dimensions single-leaf

Number of panels	2,5	4,5	6,5	8,5
width (mm)	1500 - 2350	2300 - 4200	3500 - 6000	4500 - 7500
height (mm)	2090-3500****			

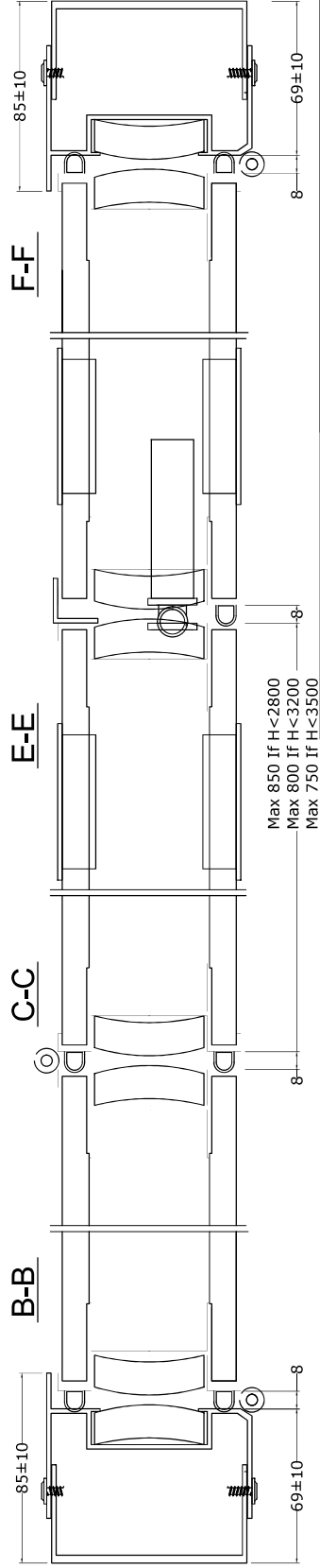
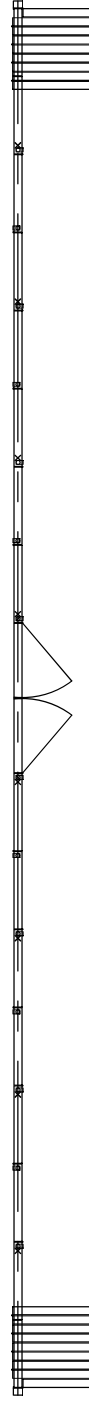
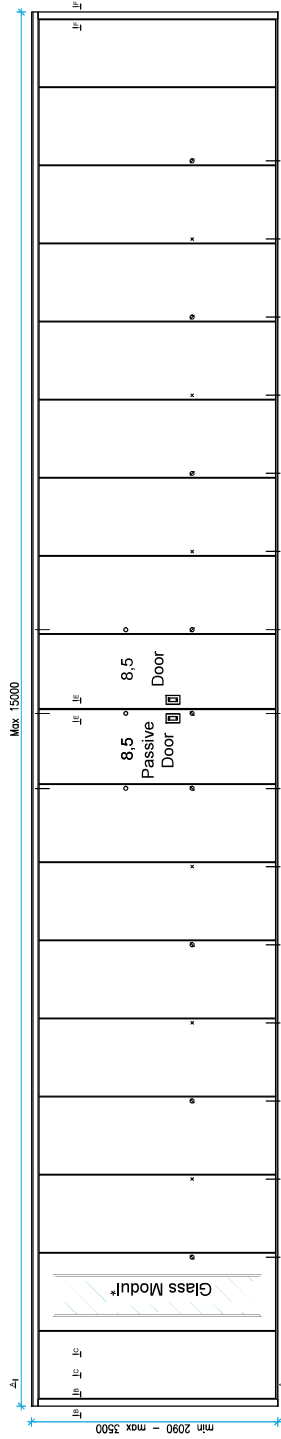
Dimensions double-leaf

Number of panels	2,5 + 2,5	4,5 + 4,5	6,5 + 6,5	8,5 + 8,5
width (mm)	3000 - 4600	4500 - 8300	6800 - 11800	9000 - 15000
height (mm)	2090-3500****			

****The permissible width of the module depends on the height of the opening:
 2090–2800 mm – max 850 mm
 2801–3200 mm – max 800 mm
 3201–3500 mm – max 750 mm



ALATAR eccentric floor track 8.5+8.5 panels
Rw=45dB (30kg/m2) / Rw=49dB (55kg/m2)



Max 850 If H<2800
Max 800 If H<3200
Max 750 If H<3500

- ✕ -backside spingalet to floor
- -frontside spingalet to ceiling
- ⊗ -frontside spingalet to floor
- * -Glass module; available on request

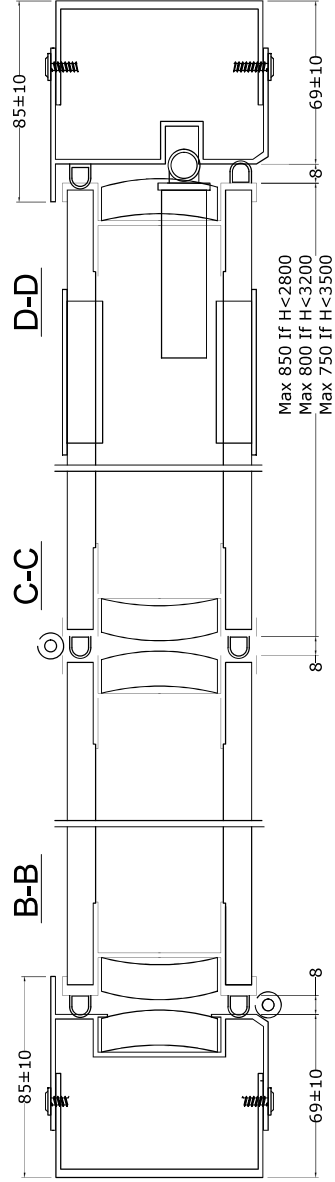
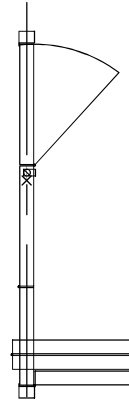
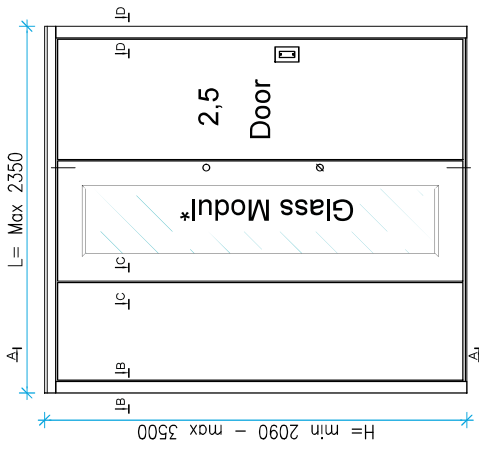
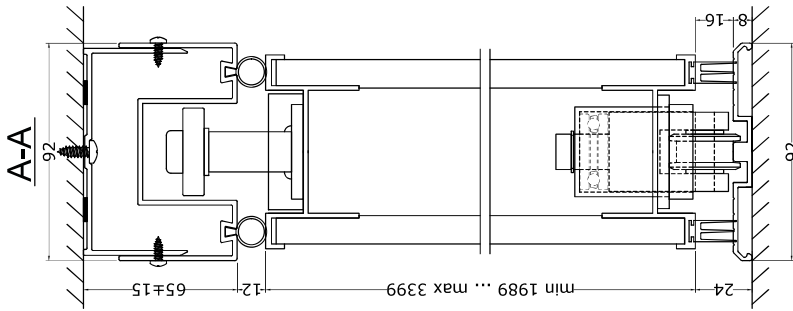
Object	Alatar		
Name	ALATAR eccentric floor track 8,5 + 8,5		
Obj. address	Customer	-	
File name	ALATAR_eccentric floor track_ARH_22.07.2021.dwg	Date	22.07.2021
Page	8	ID	-
Pages	8	Stage	Architectural
Paper size	A3	tel.	
Scale	Constructor	tel.	+372 5694 2225
	Karl-Kriegljan Saks		

WALLENIUM OÜ

Veeenni 40a
Tallinn 10138
Estonia
tel + 372 600 3749
fax + 372 600 3748

ALATAR eccentric floor track 2.5 panels

Rw=45dB (30kg/m2) / Rw=49dB (55kg/m2)



- × -backside spingalet to floor
- -frontside spingalet to ceiling
- ⊗ -frontside spingalet to floor
- * -Glass module: available on request

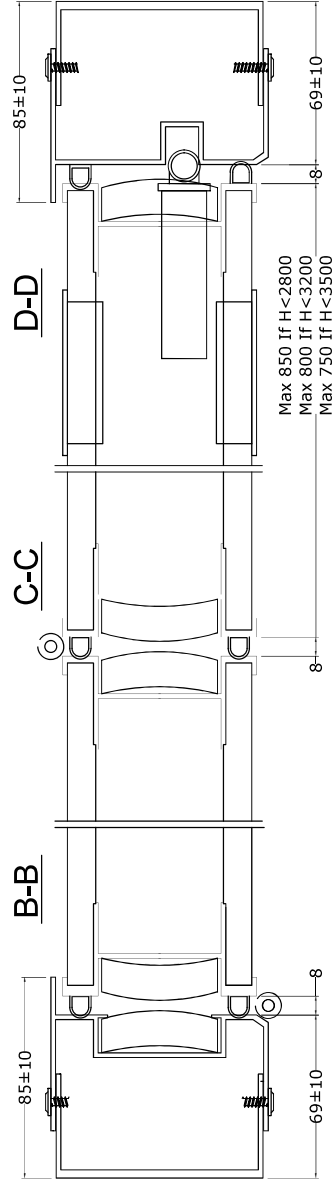
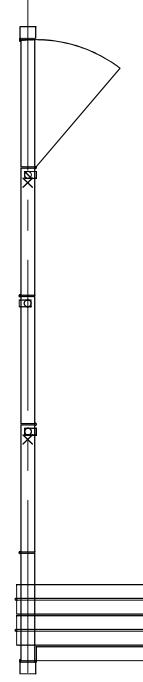
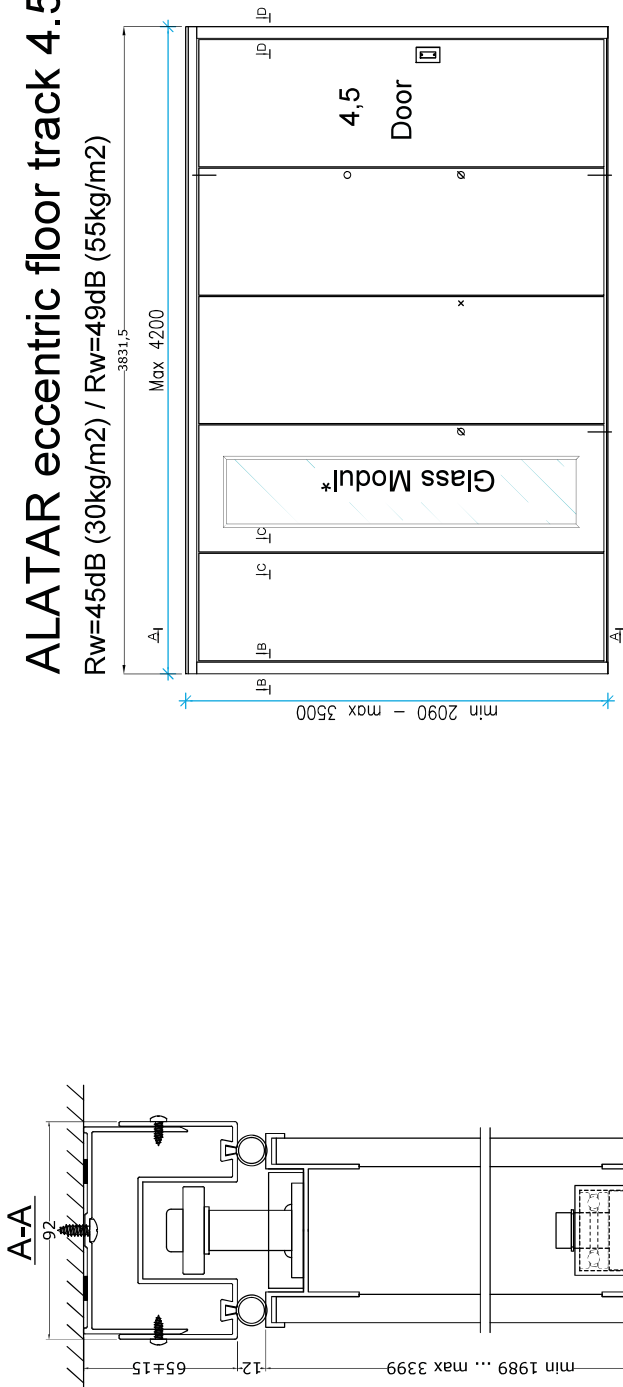
Object	Alatar		
Name	ALATAR eccentric floor track 2,5		
Obj. address	Customer -		
File name	ALATAR_eccentric floor track_ARH_22.07.2021.dwg	Date	22.07.2021
Page	1	Stage	Architectural
Pages	8	tel.	
Paper size	A3	tel.	
Scale		Constructor	Karl-Kristjan Saks +372 5694 2225

WALLENIUM OÜ

Vesemägi 40a
Tallinn 10138
Estonia
tel + 372 600 3749
fax + 372 600 3748

ALATAR eccentric floor track 4.5 panels

Rw=45dB (30kg/m2) / Rw=49dB (55kg/m2)



Max 850 If H < 2800
Max 800 If H < 3200
Max 750 If H < 3500

- ✕ -backside springalet to floor
- -frontside springalet to ceiling
- ⊗ -frontside springalet to floor

* -Glass module; available on request

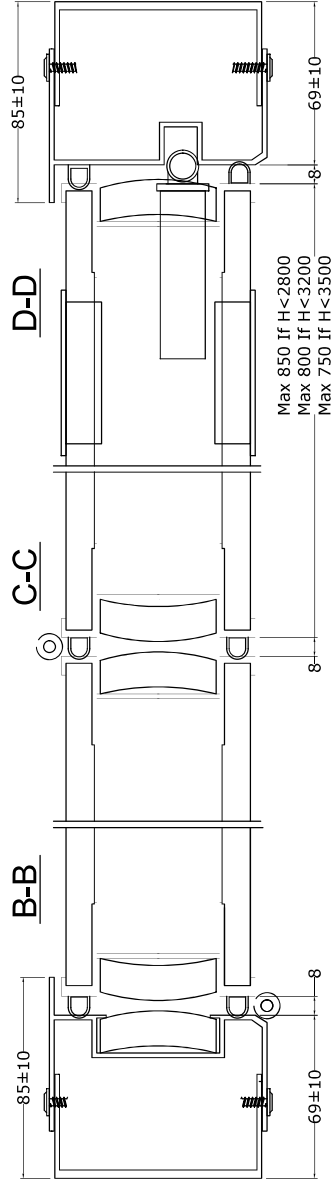
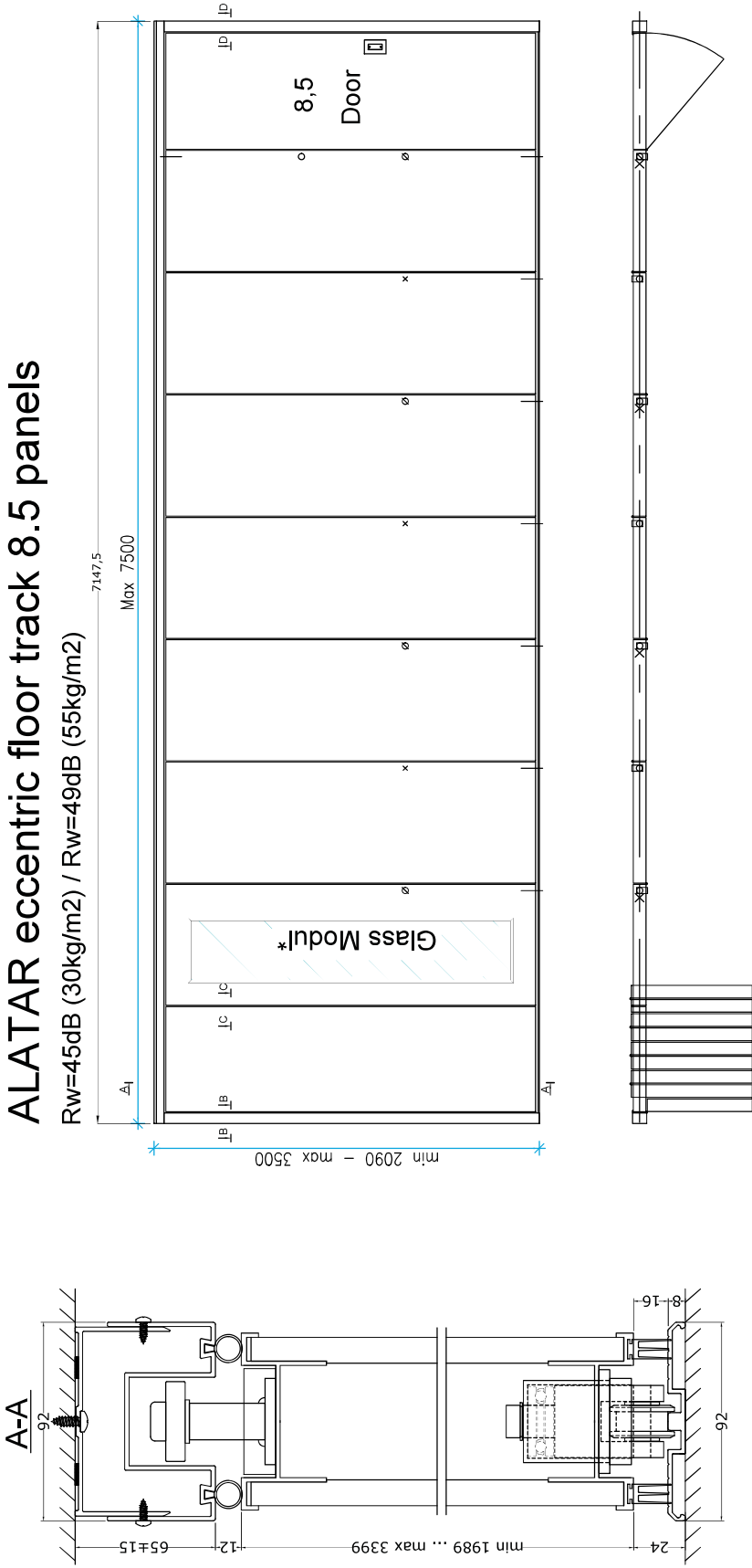
Object		Alatar	
Name	ALATAR eccentric floor track 4,5		
Obj. address	Customer -		
File name	ALATAR eccentric floor track_ARH_22.07.2021.dwg		
Page	2	ID -	Date
Paper	8		22.07.2021
Paper size	A3	Stage	Architectural
Scale		let	let
Constructor		Karl-Kristjan Saks	
		tel	+372 5694 2225

WALLENIUM OÜ

Nõmme tee 40a
Tallinn 10138
Eesti
tel +372 600 3749
fax +372 600 3748

ALATAR eccentric floor track 8.5 panels

Rw=45dB (30kg/m2) / Rw=49dB (55kg/m2)



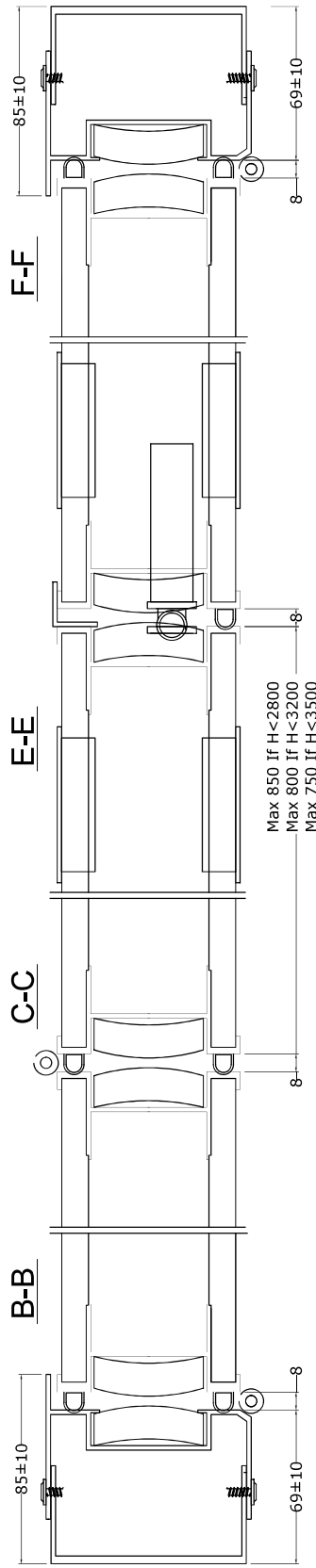
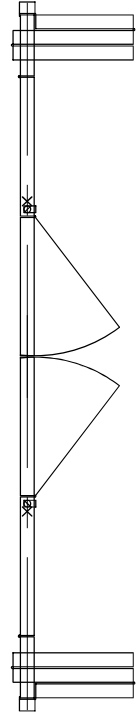
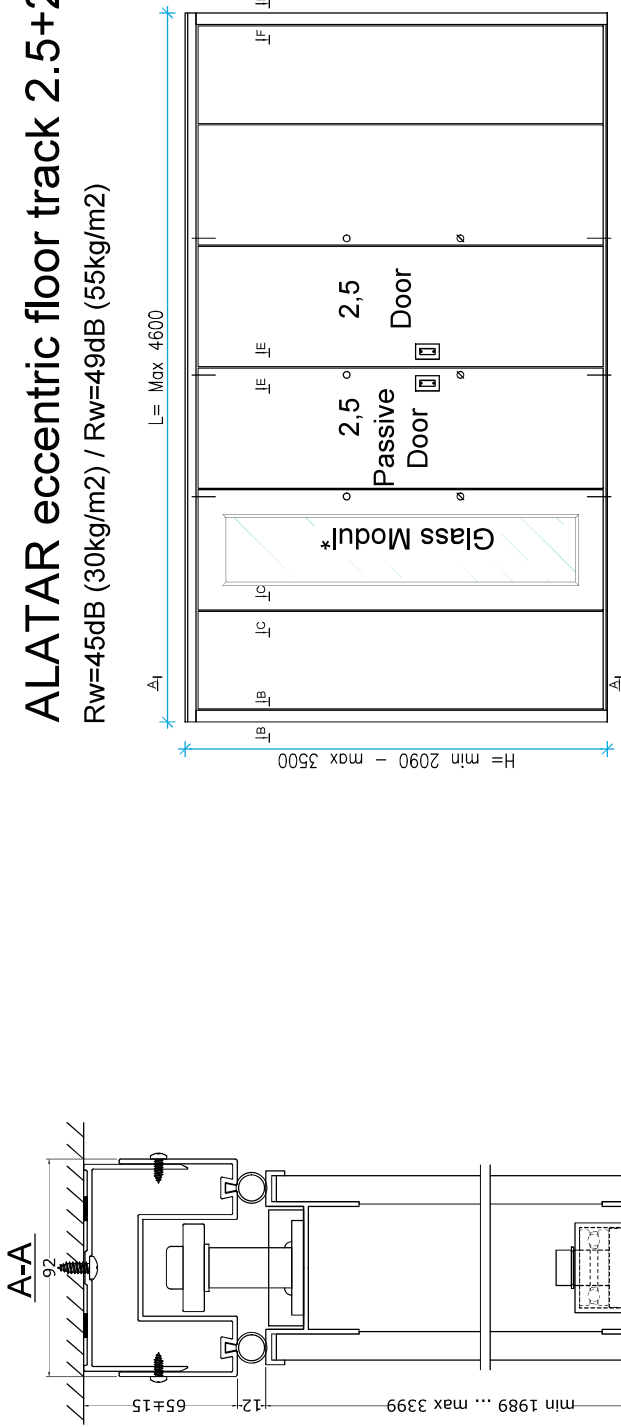
- ✕ -backside spingalet to floor
- -frontside spingalet to ceiling
- ⊗ -frontside spingalet to floor
- * -Glass module, available on request

Object	Alatar		
Name	ALATAR eccentric floor track 8,5		
Obj.-address	Customer -		
File name	ALATAR_eccentric floor track_ARH_22.07.2021.dwg		
Page	4	ID -	Date
Pages	8		22.07.2021
Paper size	A3	Scale	Architectural
Scale		Constructor	tel.
		Kari-Kristijan Saks	tel. +372 5694 2225

WALLENIUM OÜ
 Veeremi 4/a
 Tallinn 10138
 Estonia
 tel +372 600 3749
 fax +372 600 3748

ALATAR eccentric floor track 2.5+2.5 panels

Rw=45dB (30kg/m2) / Rw=49dB (55kg/m2)



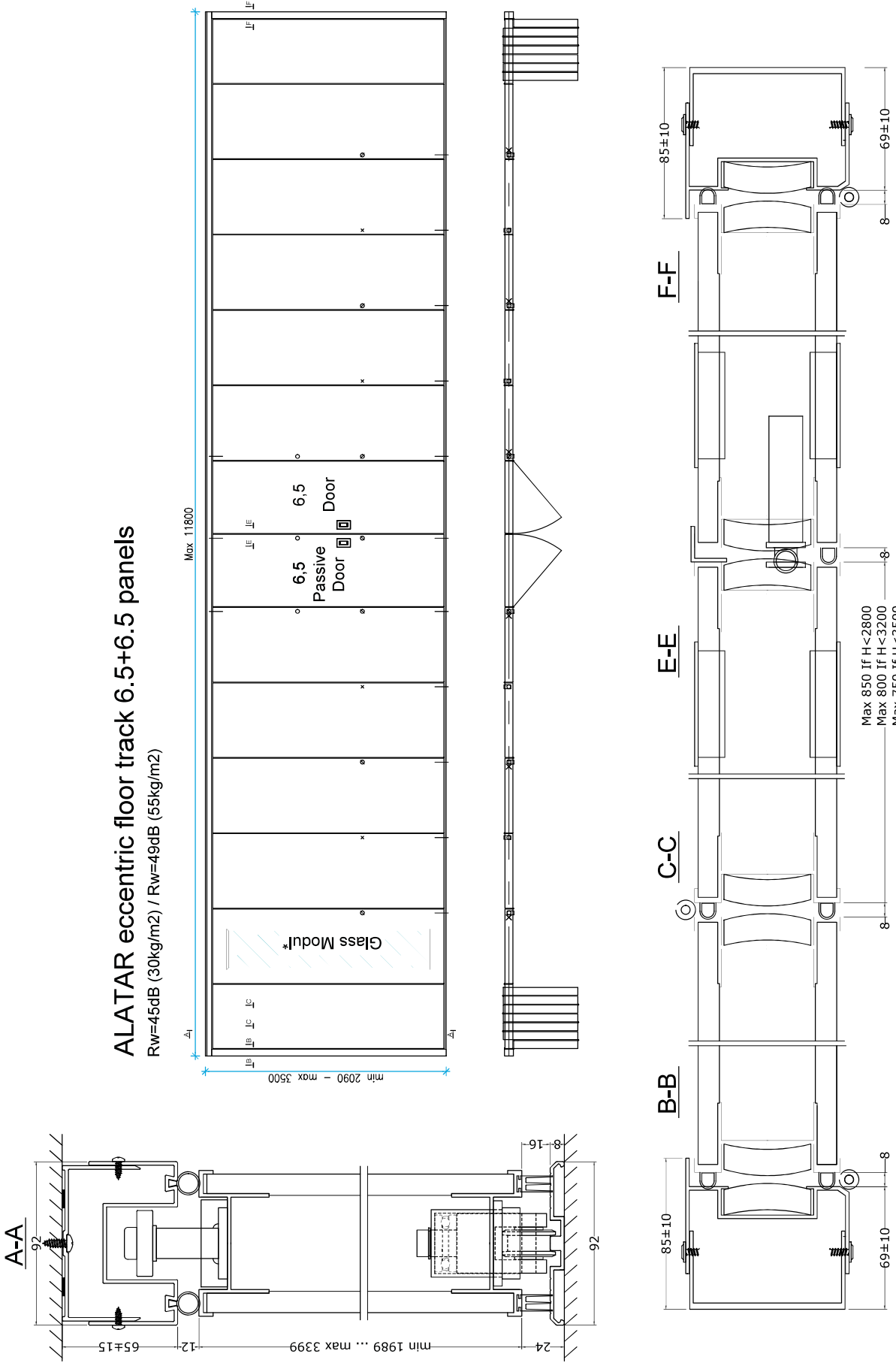
Max 850 If H<2800
Max 800 If H<3200
Max 750 If H<3500

- ✗ -backside springalet to floor
- -frontside springalet to ceiling
- ⊗ -frontside springalet to floor
- * -Glass module, available on request

Object	Alatar		
Name	ALATAR eccentric floor track 2,5 + 2,5		
Obj. address	-	Customer	-
File name	ALATAR_eccentric floor track_ARH_22.07.2021.dwg	Date	22.07.2021
Page	5	Scale	Architectural
Paper size	A3	Constructor	Karl-Kristjan Saks
Scale	-	tel.	+372 5694 2225

WALLENIUM OÜ
Veeremi 40a
Tallinn 10138
Estonia
tel +372 600 3749
fax +372 600 3748

ALATAR eccentric floor track 6.5+6.5 panels
Rw=45dB (30kg/m2) / Rw=49dB (55kg/m2)



<p>WOLLENIUM OÜ Veeenni 40a Tallinn 10138 Eestima tel +372 600 3749 fax +372 600 3748</p>		<p>Alatar ALATAR eccentric floor track 6,5 + 6,5</p>	
Object	Name	Customer	
File name	Dir. address		
ALATAR_eccentric floor track_ARH_22.07.2021.dwg			
Page	ID	Date	Stage
7	8	22.07.2021	Architectural
Paper size	Scale	Constructor	Cell.
A3		Karl-Kristjan Saks	Cell.
			+372 5694 2225

- × -backside spingalet to floor
- -frontside spingalet to ceiling
- ⊗ -frontside spingalet to floor
- * -Glass module; available on request