

MODULAR PARTITION SYSTEM ALATAR

# ALATAR CENTRIC WITH A CEILING RAIL

Folding walls attach to the ceiling and consist of various wall panels that are interconnected via hinges and stored at the end of the rail when the wall opens

The support roller is in the middle of the panel

There are sound insulation seals between the panels, the ceiling and the floor

The various panels of the wall are interconnected via hinges

Each panel of the folding wall is equipped with a recessed latch, whereby the wall is locked using a separate handle/lever

The module(s) next to the active door is locked

in an opening recessed in the floor

The opening recessed in the floor surface (H: 30 mm) is covered with floor sleeves

PANEL WIDTH

Max 900 mm

DEPTH

92 mm



PROFILE MATERIAL

Aluminium

FINISH FOR RAIL AND TRIM PROFILES\*

RAL9010

FINISH FOR PANEL EDGE PROFILES\*

Natural anodisation

PANEL FILLING MATERIAL\*

White melamine (standard)

painted melamine (RAL, Tikkurila, NCS catalogues)

decorated melamine, natural veneer

high-pressure laminate (HPL)

LOCK CASE

Roller lock (DIN locking cylinder)

HANDLE

Recessed

SOUND INSULATION\*\*\*

Rw = 45 dB (30 kg/m<sup>2</sup>)

Rw = 49 dB (55 kg/m<sup>2</sup>)

\*\*\*Estimated sound insulation performance

LISAD

Panels with glass openings, magnetic board, whiteboard

\*Custom finishes upon agreement

\*\*Custom solutions upon agreement

Dimensions single-leaf

---

Number of panels	2,5	4,5	6,5	8,5
width (mm)	1500 - 2350	2300 - 4200	3500 - 6000	4500 - 7500
height (mm)	2090 - 3500			

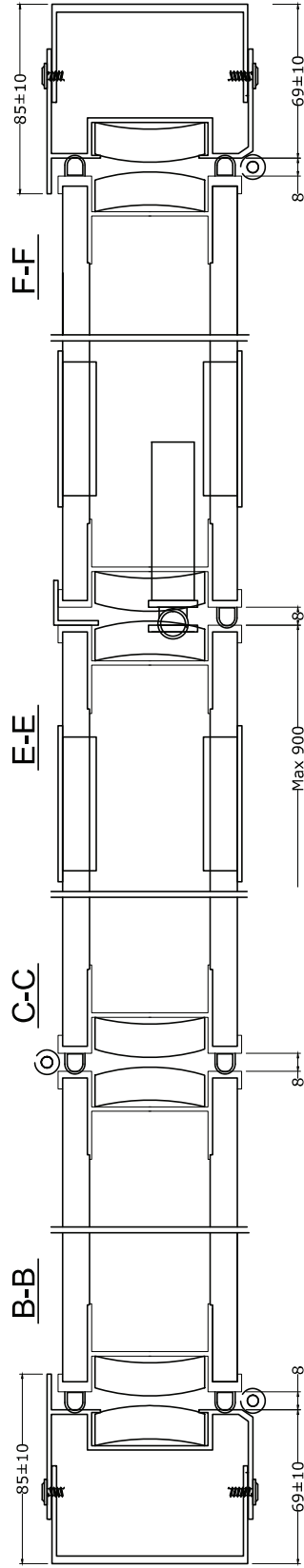
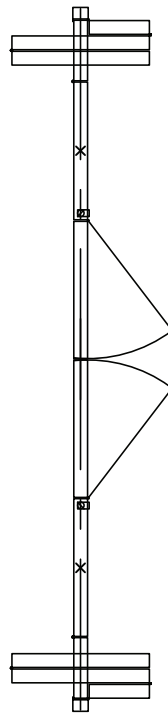
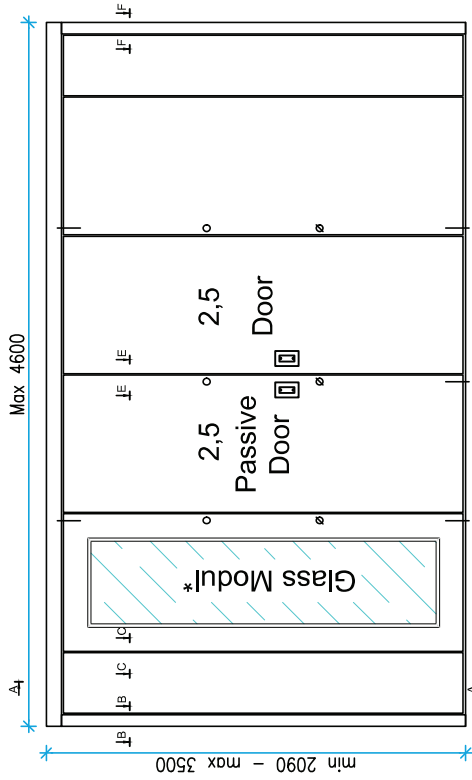
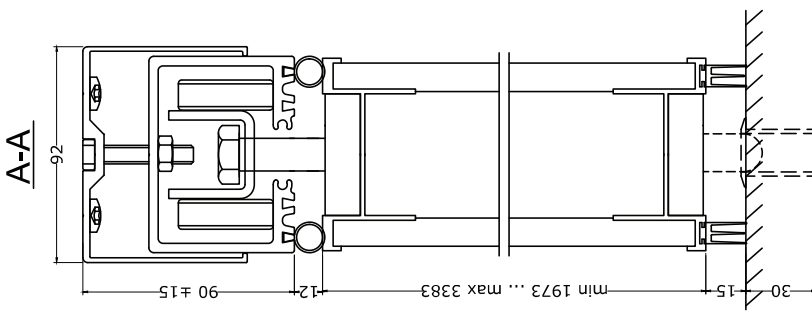
Dimensions double-leaf

---

Number of panels	2,5 + 2,5	4,5 + 4,5	6,5 + 6,5	8,5 + 8,5
width (mm)	3000 - 4600	4500 - 8300	6800-11800	9000 - 15000
height (mm)	2090 - 3500			

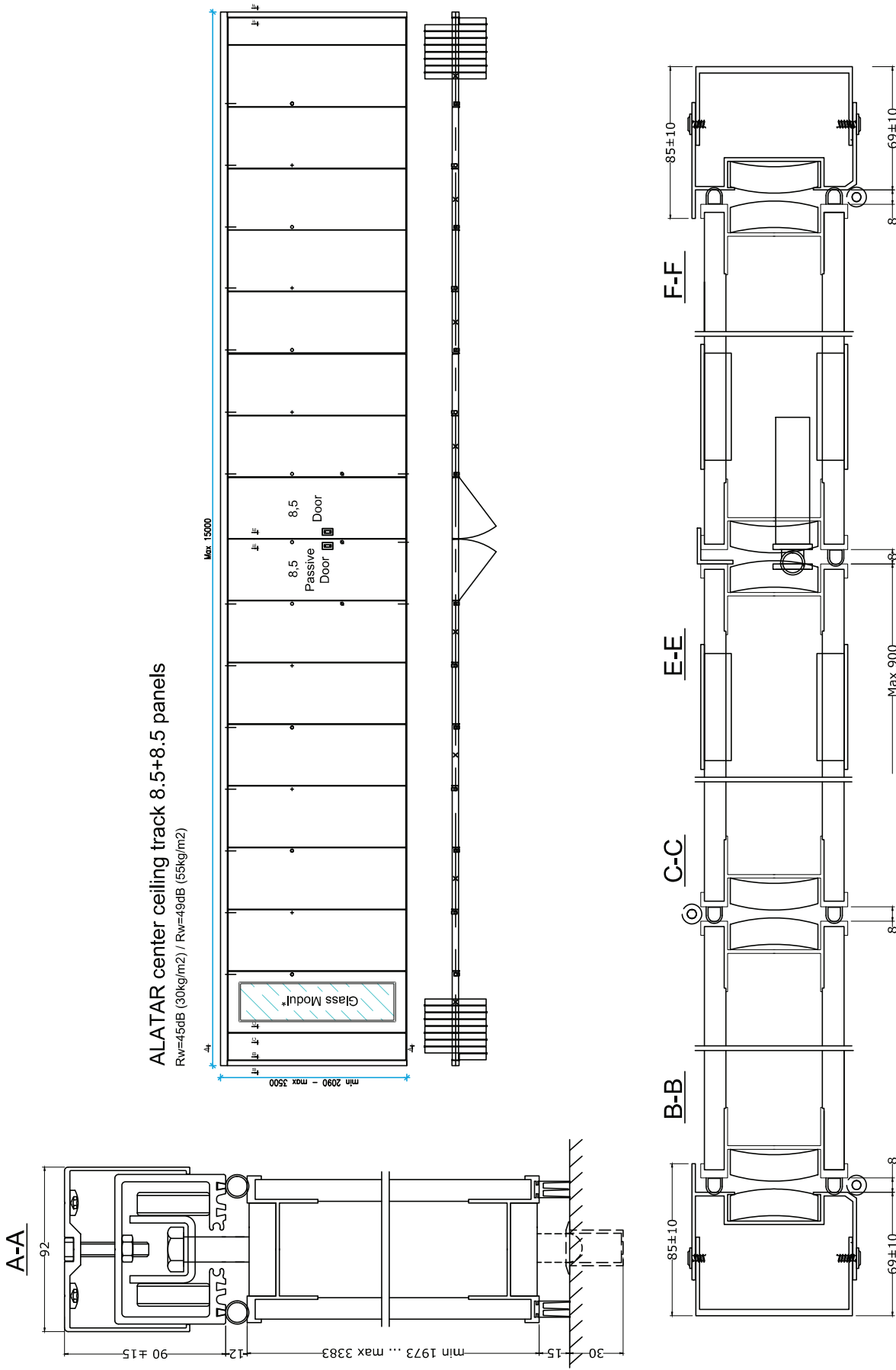
# ALATAR center ceiling track 2.5+2.5 panels

Rw=45dB (30kg/m2) / Rw=49dB (55kg/m2)



- + -backside spingalet to ceiling
- -frontside spingalet to ceiling
- ⊗ -frontside spingalet to floor
- \* -Glass module; available on request

<b>WALLENIUM OÜ</b>		<b>Alatar</b>	
Veemenni 40b, Tallinn 10138 Estonia		ALATAR center ceiling track 2,5 + 2,5	
tel +372 600 3749		File name	ALATAR center ceiling track_ARH_22.07.2021.dwg
fax +372 600 3748		Objekt	Customer -
		Obj. address	
		Page	5
		ID	8
		Date	22.07.2021
		Scale	A3
		Constructor	Roland Randmäe
		Scale	1:1
		Scale	1:1
		Scale	1:1



**ALATAR center ceiling track 8.5+8.5 panels**  
Rw=45dB (30kg/m2) / Rw=49dB (55kg/m2)

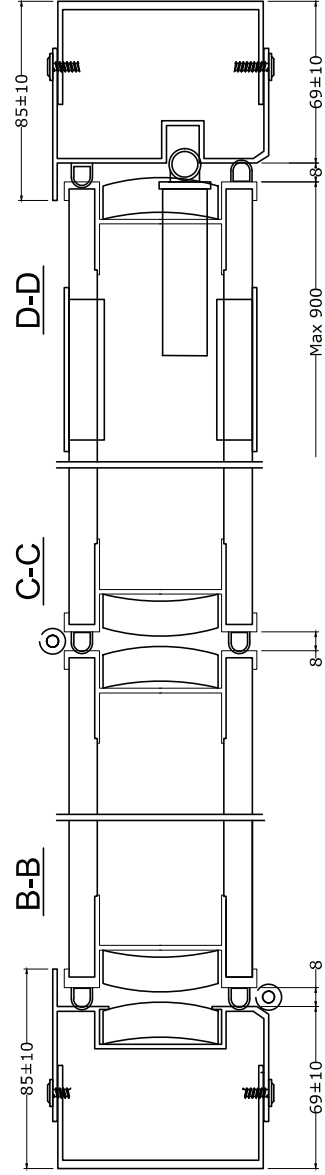
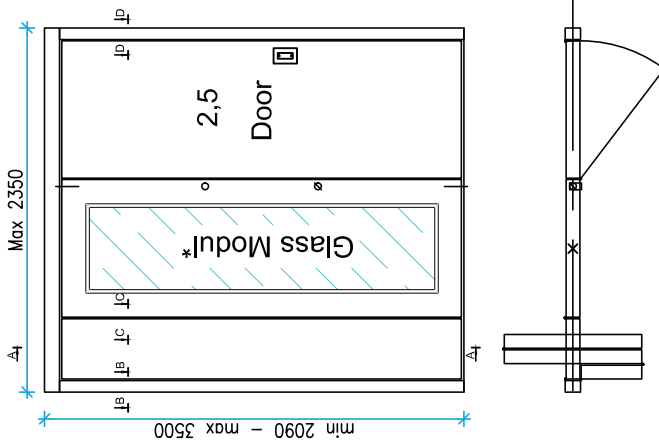
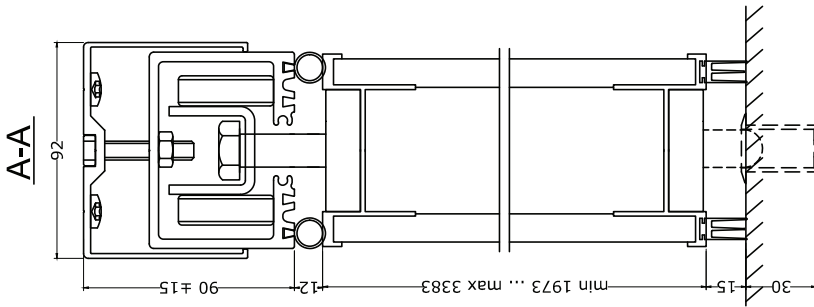
Objekt	Alatar		
Name	ALATAR center ceiling track 8,5 + 8,5		
Obj. address	Customer -		
File name	ALATAR center ceiling track_ARH_22.07.2021.dwg		
Page	8	ID	22.07.2021
Pages	8	Date	22.07.2021
Paper size	A3	Stage	Architectural
Scale		Constructor	Roland Randmäe
		tel.	+372 501 1908

**WALLENIUM OÜ**  
Veeremi 40a  
Tallinn 10138  
Estonia  
tel + 372 600 3749  
fax + 372 600 3748

- + -backside spingalet to ceiling
- -frontside spingalet to ceiling
- ⊗ -frontside spingalet to floor
- \* -Glass module; available on request

# ALATAR center ceiling track 2.5 panels

Rw=45dB (30kg/m2) / Rw=49dB (55kg/m2)



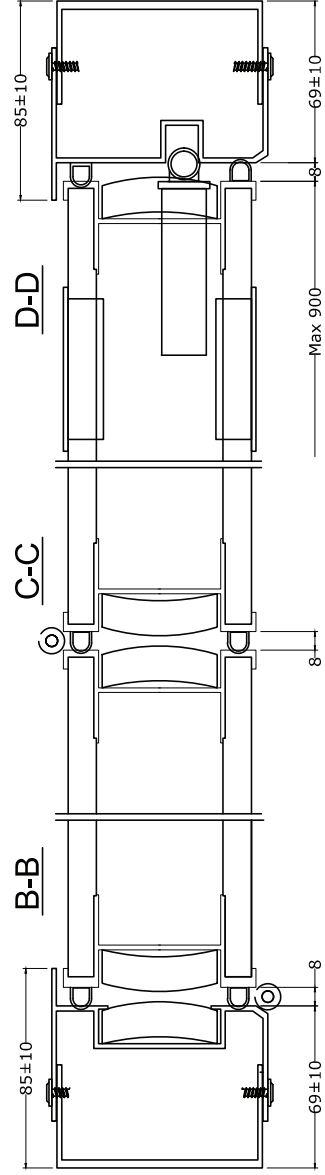
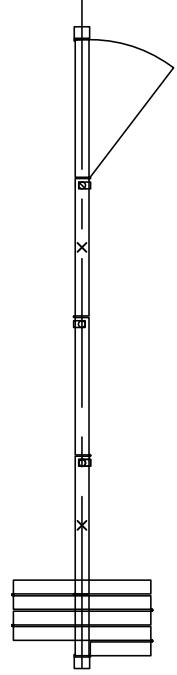
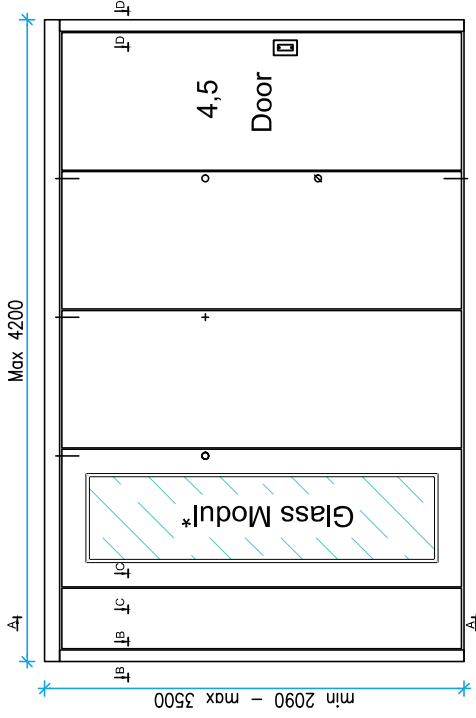
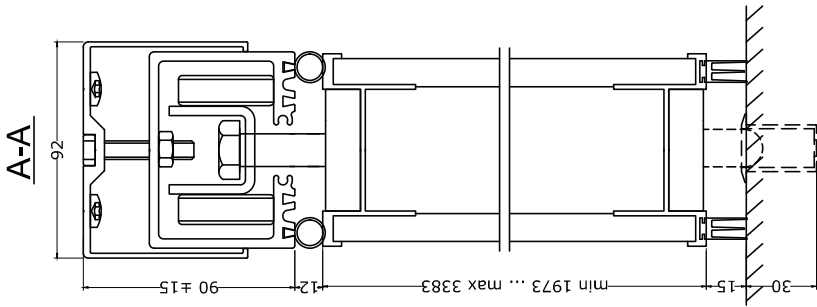
- + -backside spingalet to ceiling
- -frontside spingalet to ceiling
- ⊙ -frontside spingalet to floor
- \* -Glass module; available on request

Name		ALATAR center ceiling track 2,5	
Objekt		Alatar	
Obj. address		Customer -	
File name	ALATAR_center ceiling track_ARH_22.07.2021.dwg	Date	22.07.2021
Page	1	ID	
Pages	8	Scale	Architectural
Paper size	A3	Constructor	Roland Randmäe
Scale		tel.	+372 501 1908

**WALLENIUM OÜ**  
Veeremi 40a  
Tallinn 10138  
Estonia  
tel + 372 600 3749  
fax + 372 600 3748

# ALATAR center ceiling track 4.5 panels

Rw=45dB (30kg/m2) / Rw=49dB (55kg/m2)



- + -backside springalet to ceiling
- -frontside springalet to ceiling
- -frontside springalet to floor
- \* -Glass module; available on request

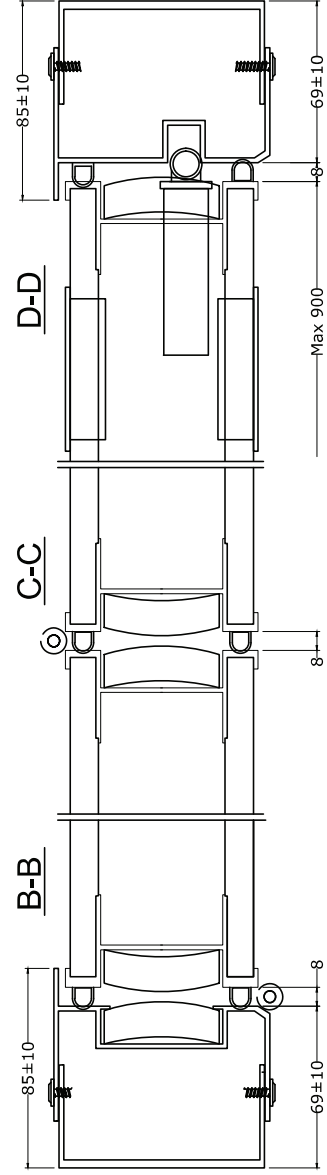
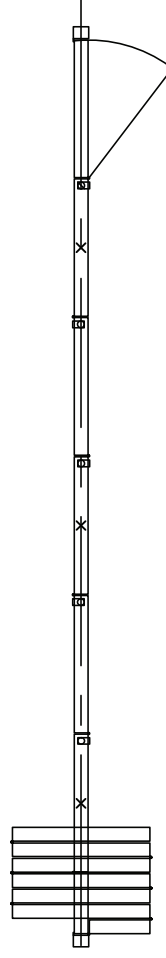
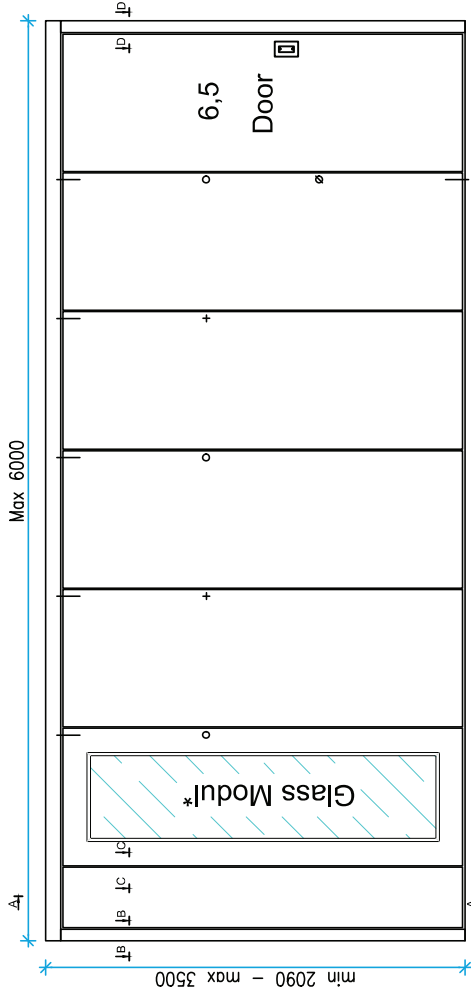
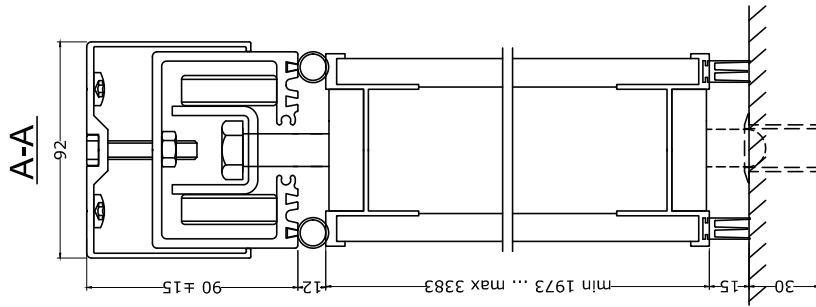
Object	Alatar		
Name	ALATAR center ceiling track 4,5		
Obj. address	Customer -		
File name	ALATAR_center ceiling track_ARH_22.07.2021.dwg		
Page	2	ID.	22.07.2021
Pages	8	Date	22.07.2021
Paper size	A3	Stage	Architectural
Scale		tel.	
	Constructor	tel.	
	Roland Rändimäe	tel.	+372 501 1908

## WALLENIUM OÜ

Vesemägi 40a  
Tallinn 10138  
Eesti  
tel +372 600 3749  
fax +372 600 3748

# ALATAR center ceiling track 6.5 panels

Rw=45dB (30kg/m2) / Rw=49dB (55kg/m2)

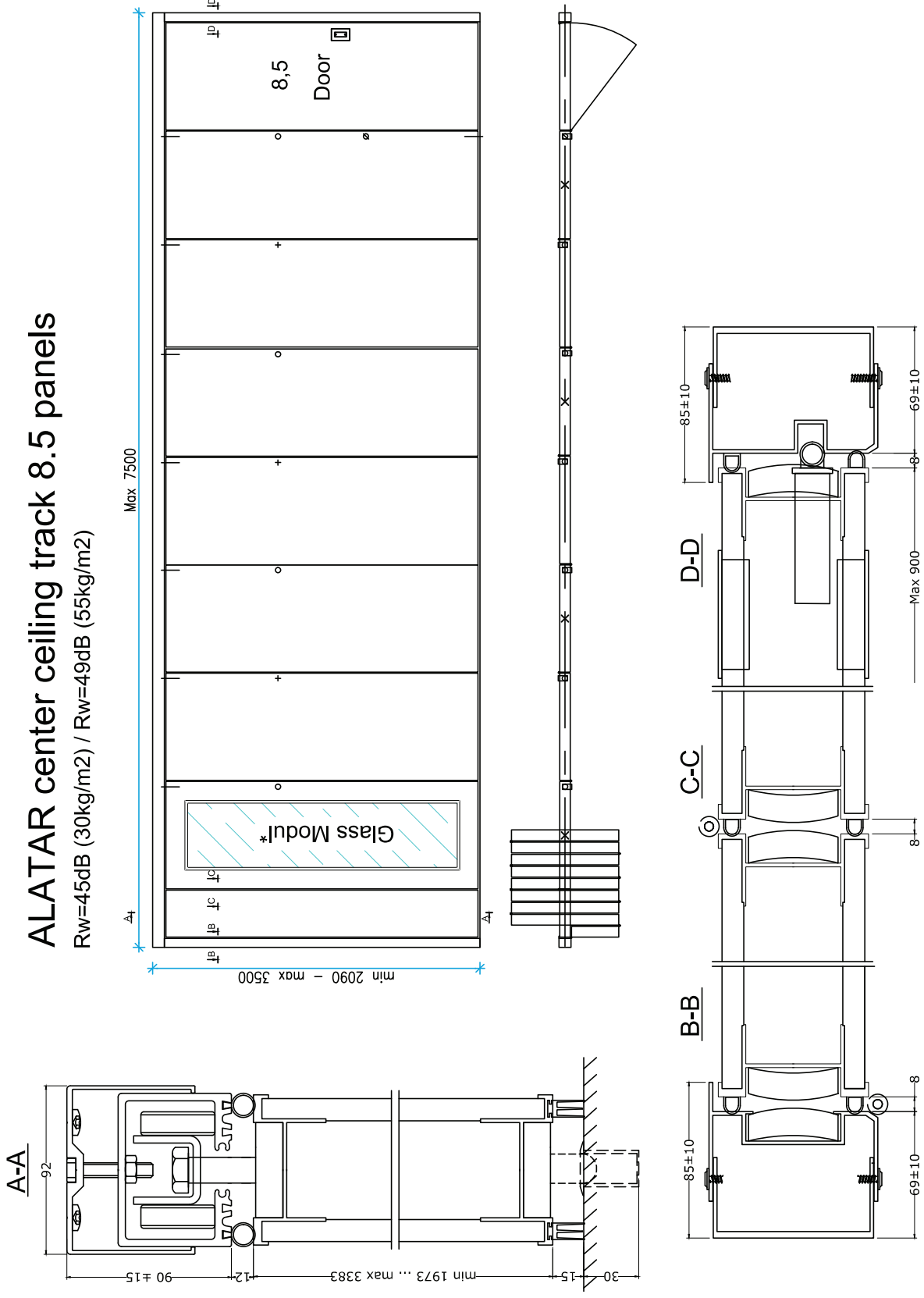


- + -backside spingalet to ceiling
- -frontside spingalet to ceiling
- ⊗ -frontside spingalet to floor
- \* -Glass module: available on request

<b>WALLENIUM OÜ</b>		<b>Alatar</b>	
Veereemi 4/a Tallinn 10138 Estonia tel + 372 600 3749 fax + 372 600 3748		ALATAR center ceiling track 6,5	
Objekt	Alatar	Objekt	ALATAR center ceiling track 6,5
Nime	ALATAR center ceiling track	Client	-
Obj. address	-	Customer	-
File name	ALATAR_center ceiling track_ARH_22.07.2021.dwg	File name	ALATAR_center ceiling track_ARH_22.07.2021.dwg
Page	3	ID	-
Pages	8	Date	22.07.2021
Paper size	A3	Stage	Architectural
Scale	-	Scale	1:1
Constructor	Roland Randmäe	tel.	+ 372 501 1908

# ALATAR center ceiling track 8.5 panels

Rw=45dB (30kg/m2) / Rw=49dB (55kg/m2)



- + -backside spingalet to ceiling
- -frontside spingalet to ceiling
- ⊗ -frontside spingalet to floor
- \* -Glass module; available on request

Object		Alatar	
Name	ALATAR center ceiling track 8,5		
Obj. address	- - - - -		
File name	ALATAR_center ceiling track_ARH_22.07.2021.dwg		
Page	4	ID	-
Pages	8	Date	22.07.2021
Paper size	A3	Stage	Architectural
Scale	-	tel.	-
Constructor	Roland Randmäe		
tel.	+372 501 1908		

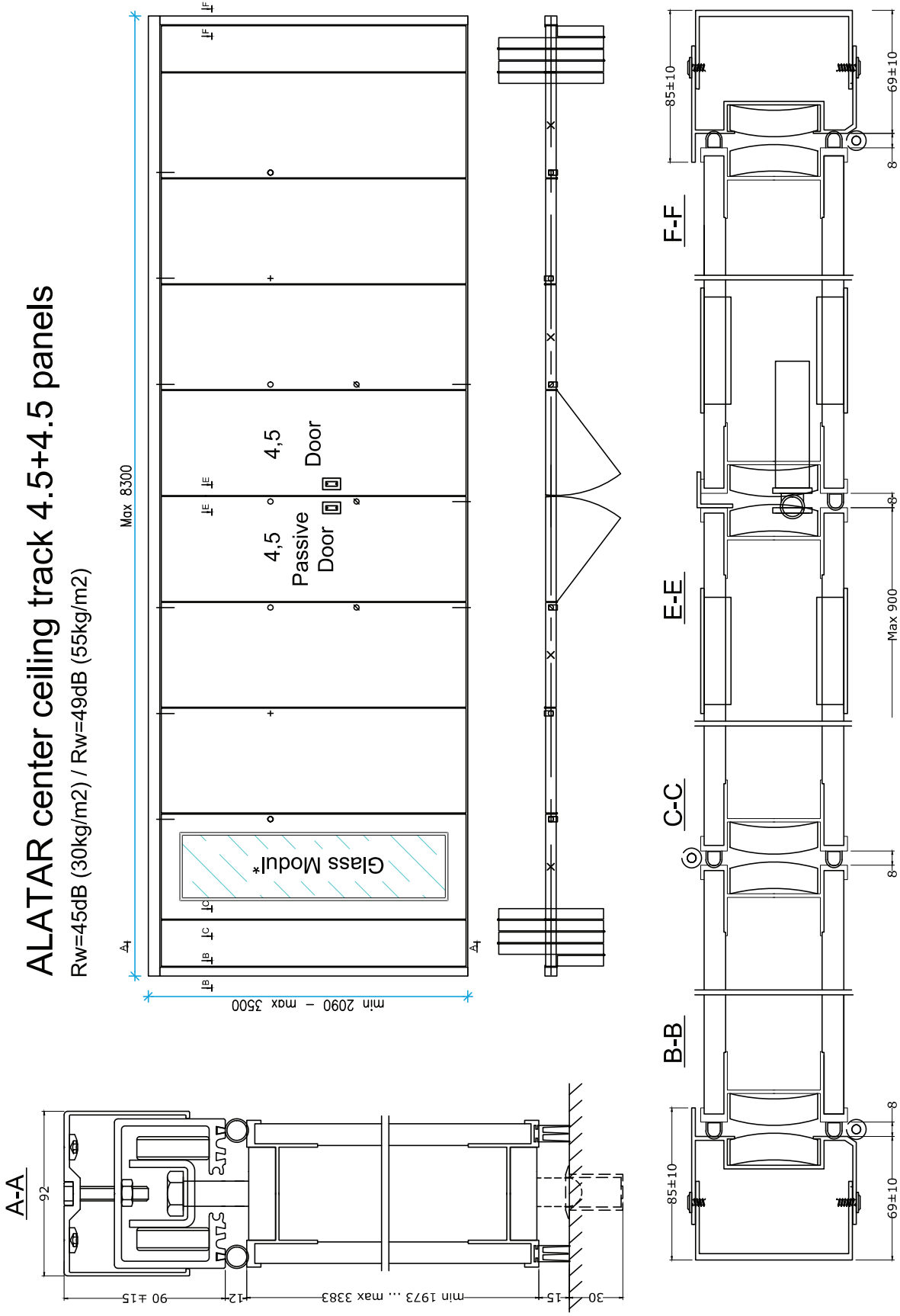
## WALLENIUM OÜ

Veeenni 40a  
Tallinn 10138  
Estonia  
tel + 372 600 3749  
fax + 372 600 3748



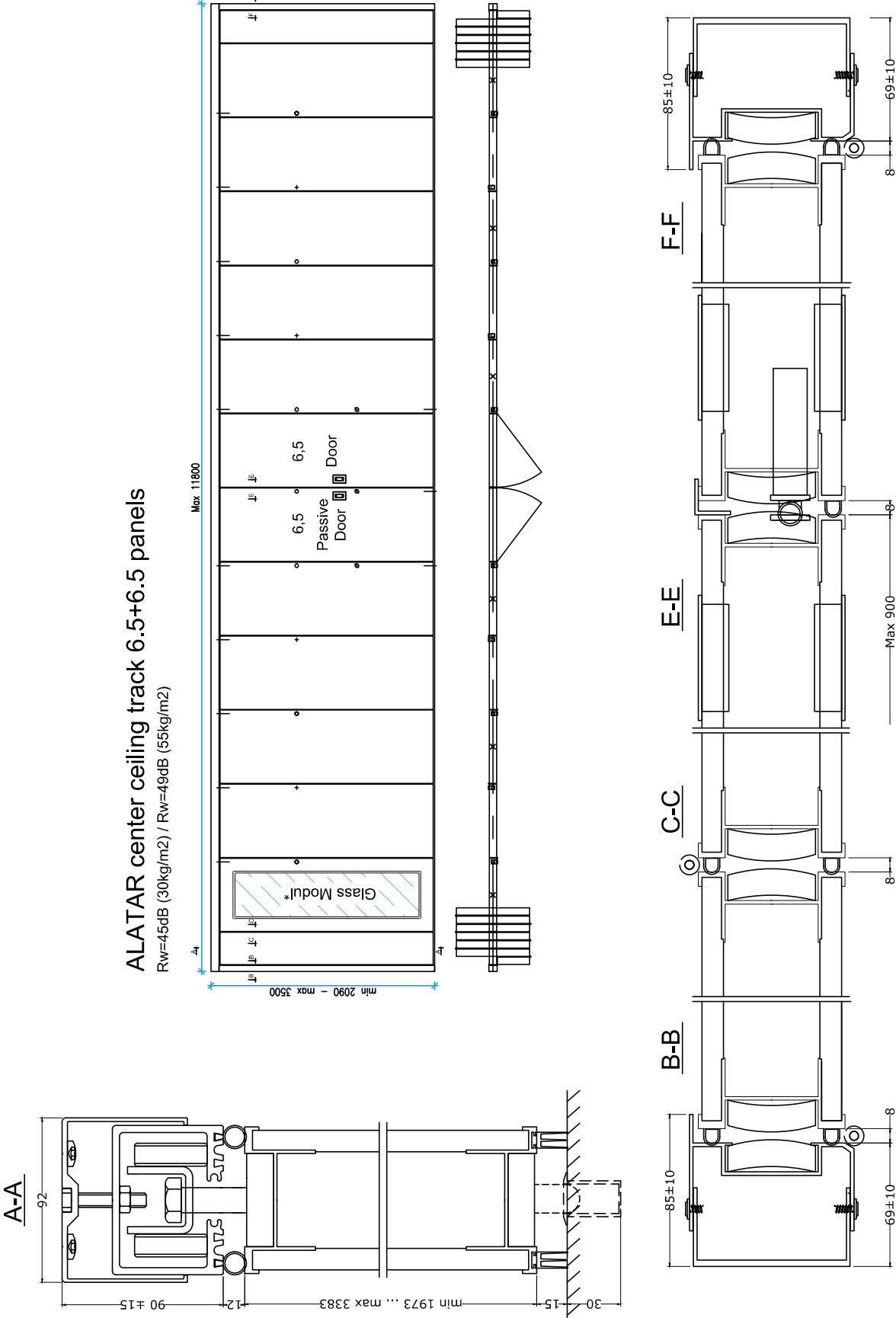
# ALATAR center ceiling track 4.5+4.5 panels

Rw=45dB (30kg/m2) / Rw=49dB (55kg/m2)



<b>WALLENIUM OÜ</b>		<b>Alatar</b>	
Veretemi, 40a Tallinn 10138 Eestonia tel + 372 600 3749 fax + 372 600 3748		ALATAR center ceiling track 4,5 + 4,5	
Object	Name	Customer	
File name	ID	Date	Stage
ALATAR_center ceiling track_ARH_22.07.2021.dwg	6	22.07.2021	Architectural
Pages	8		tel.
Paper size	A3		tel.
Scale	Constructor	Manufacturer	tel.
		Roband Randmale	+372 501 1908

- + -backside spingalet to ceiling
- -frontside spingalet to ceiling
- -frontside spingalet to floor
- \* -Glass module: available on request



**ALATAR center ceiling track 6.5+6.5 panels**

Rw=45dB (30kg/m2) / Rw=49dB (55kg/m2)

Object	Alatar	
Name	ALATAR center ceiling track 6,5 + 6,5	
Obj. address	Customer -	
File name	ALATAR_center_ceiling_track_ARH_22.07.2021.dwg	Date
Page	7	ID -
Pages	8	Date
Paper size	A3	Stage
Scale	Constructor	Architectural
	Rebald Randmaa	tel.
		+372 501 1908

**WALLENIUM OÜ**

Vesemägi 40a  
Tallinn 10138  
Eestonia  
tel + 372 600 3749  
fax + 372 600 3748

- + -backside springalet to ceiling
- -frontside springalet to ceiling
- ⊗ -frontside springalet to floor
- \* -Glass module, available on request